
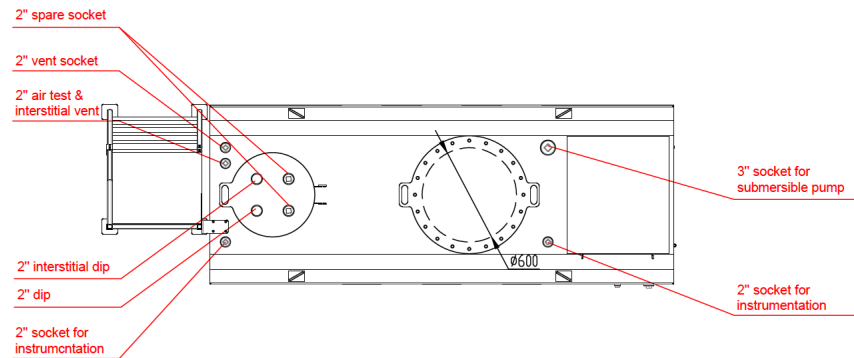
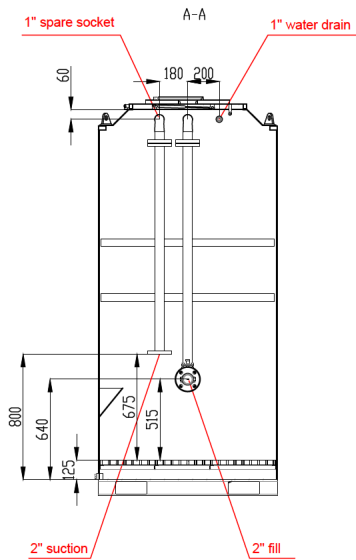
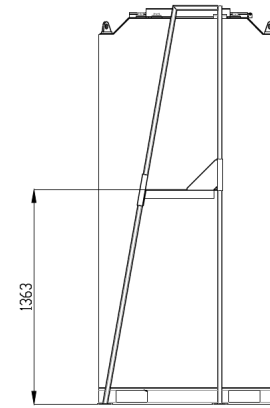
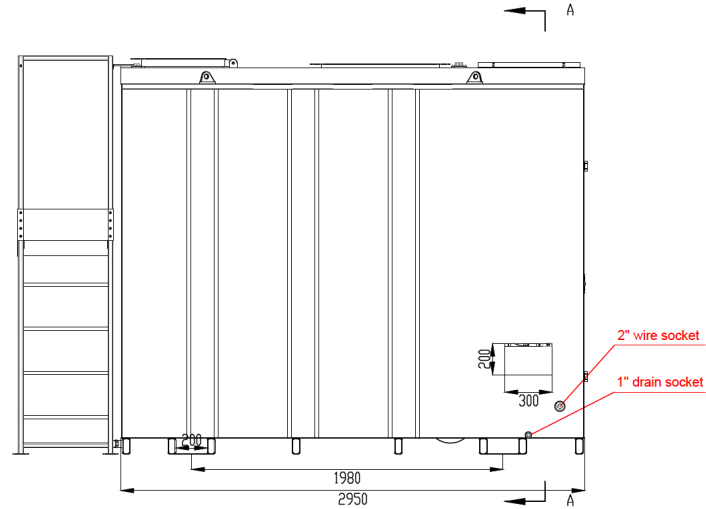
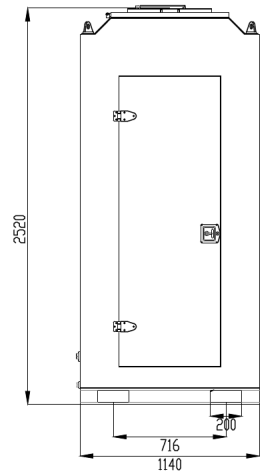
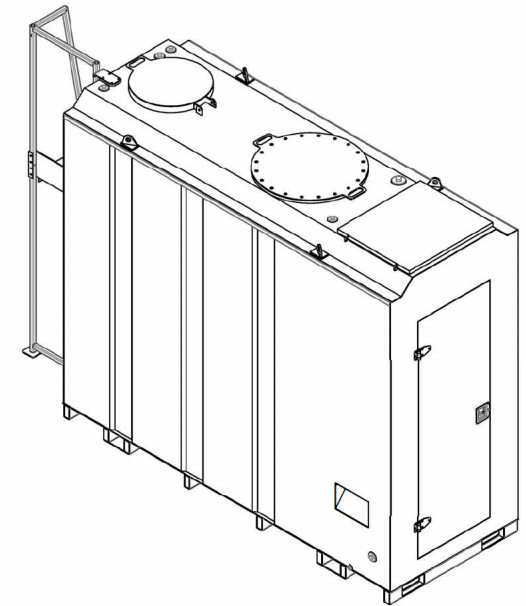
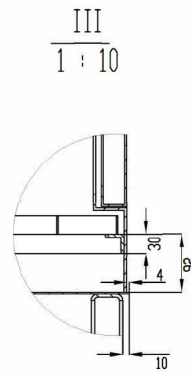
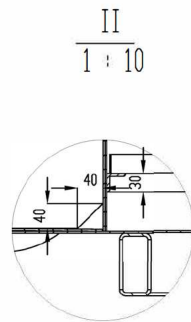
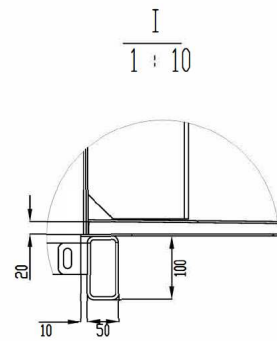
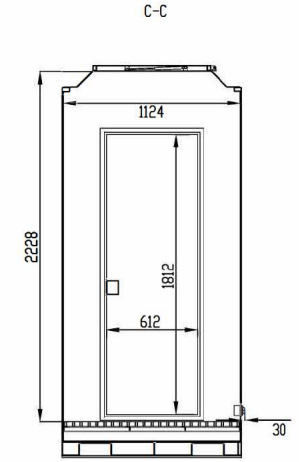
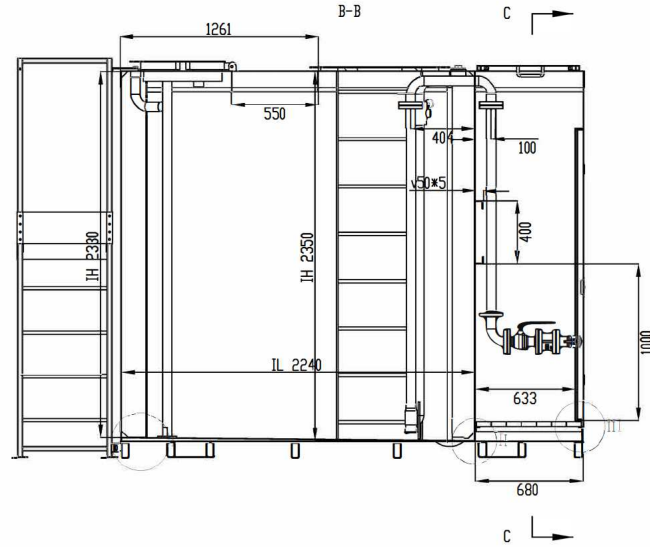
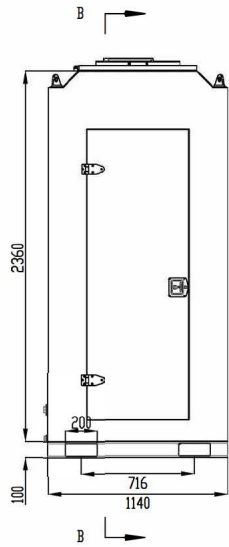



INSTRUCTIONS : ALL DIMENSIONS & FIT ARE TO BE MAINTAINED UNLESS OTHERWISE SPECIFIED. ALL DIMENSIONS TO BE AS SHOWN UNLESS OTHERWISE SPECIFIED				TITLE : STORE SELF BUNDED TANK 5500L	
SIGN : CHECKED : CHEN KAI VERIFIED : APPROVED :		DATE : 2023.7.		PART NO : STORE-5.5	
MATERIAL : Q235B		WEIGHT : 1,850 kgs		DWG. NO. :	
		REVISION : 01		SHEET : 1 TOTAL SHEET : 4 SCALE : NTS	

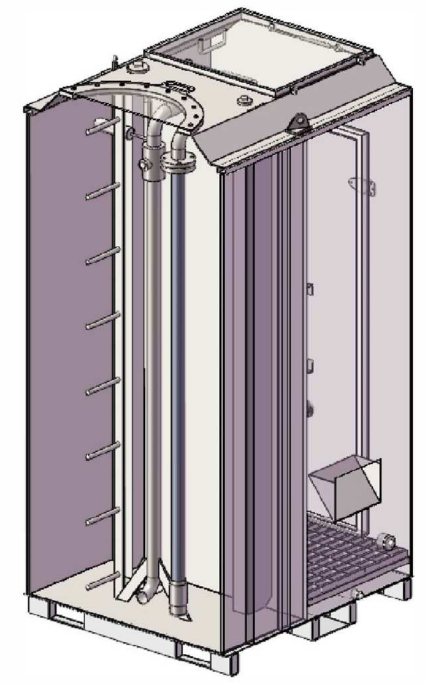
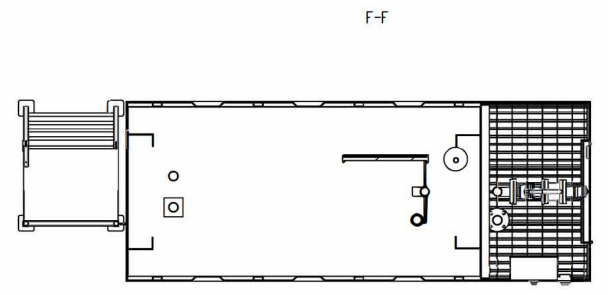
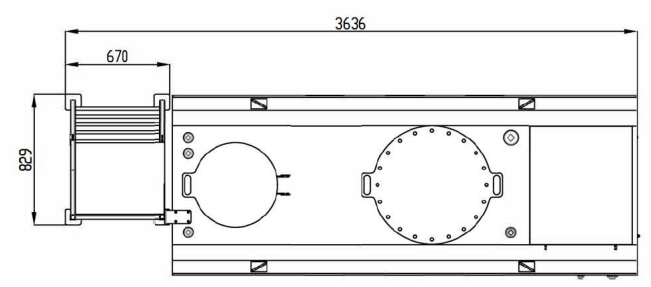
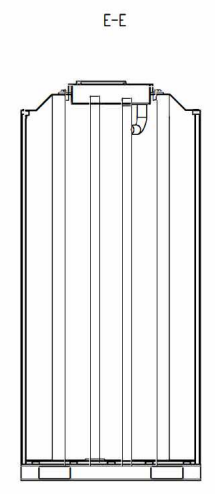
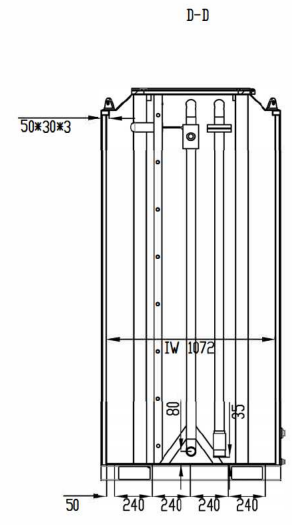
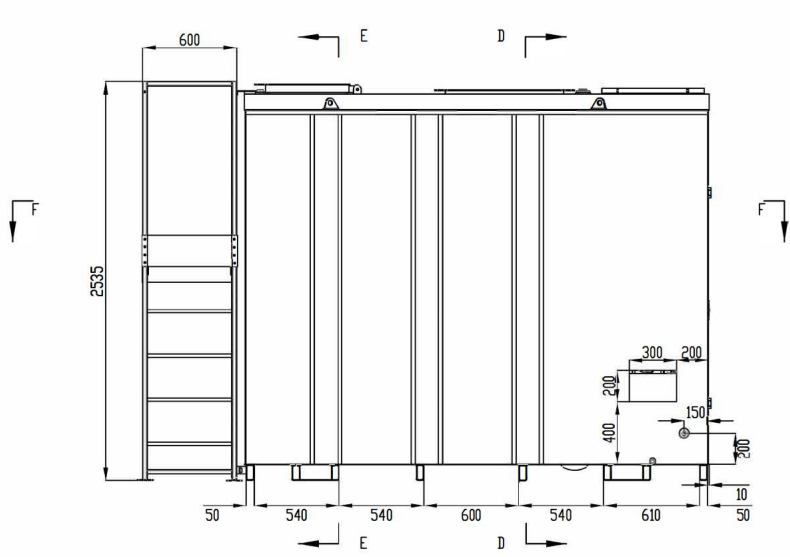



TANK DATA	
CONTENT	Diesel
EXTERNAL SIZE	2950 x 1140 x 2520 mm
INTERNAL SIZE	2240 x 1072 x 2350 mm
GROSS VOLUME	5,500 litres
SAFEFILL LEVEL	5,000 litres

DESIGN		DATE	MATERIAL	WEIGHT		FILE:	STORE SELF BUNDED TANK 5500L
CHECKED	CHIEN KAI	2023.7.	Q235B	1,850 kgs		PART NO.:	STORE-5.5
VERIFIED							
APPROVED						REVISION	01 SHEET : 2 TOTAL SHEET : 4 SCALE : NTS



TOLERANCES : ALL DIMENSIONS IN MM UNLESS SPECIFIED OTHERWISE, ALL DIMENSIONS TO BE AS FOLLOWS : 0.5 0.3 0.2				TITLE : STORE SELF BUNDED TANK 5500L	
DESIGN CHECKED VERIFIED APPROVED	SIGN CHEN KAI	DATE 2023.7.	MATERIAL Q235B	WEIGHT 1,850 kgs	PART NO : STORE-5.5
REVISION 01			SHEET : 3 TOTAL SHEET : 4 SCALE : NTS		



DESIGN		SIGN	DATE	MATERIAL	WEIGHT		TITLE :
CHECKED	CHEN KAI		2023.7.	Q235B	1,850 kg		STORE SELF BUNDED TANK 5500L
VERIFIED							PART NO :
APPROVED							STORE-5.5
				REVISION	01	DWG. NO.	
				SHEET :		4 TOTAL SHEET : 4 SCALE : NTS	