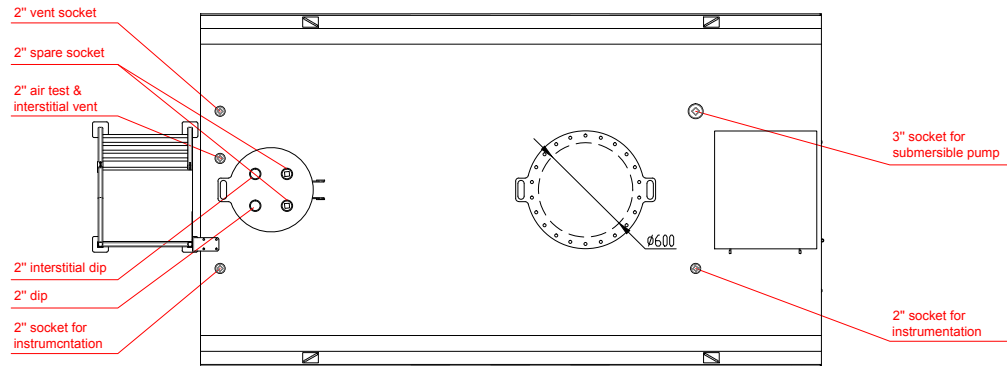
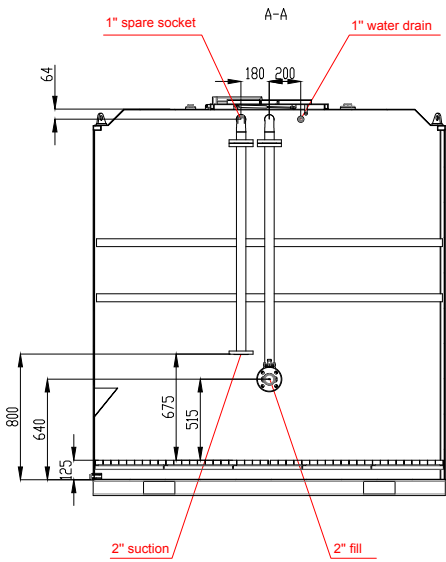
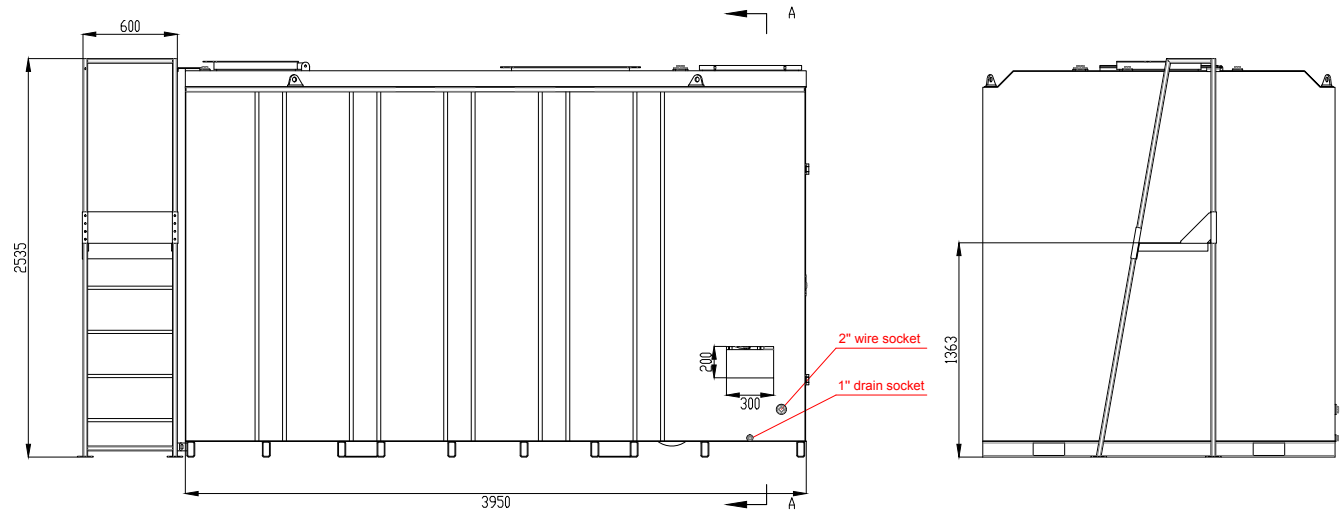
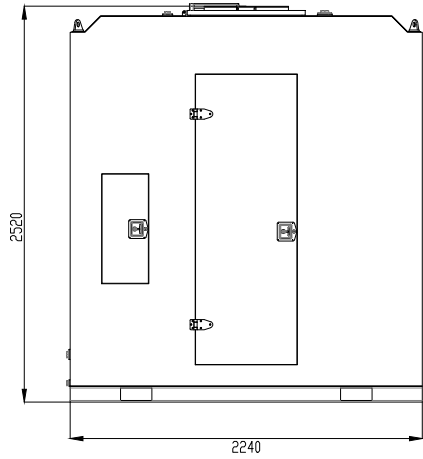

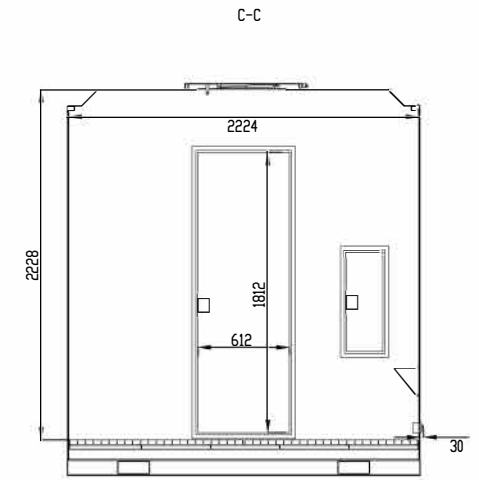
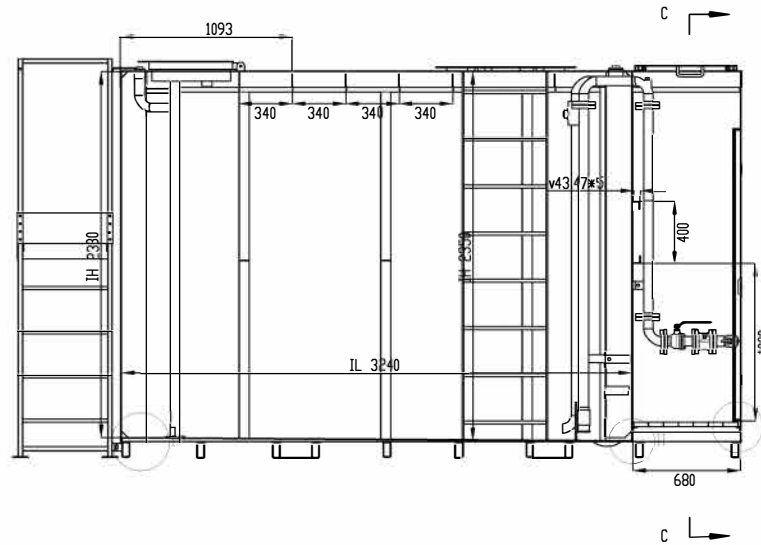
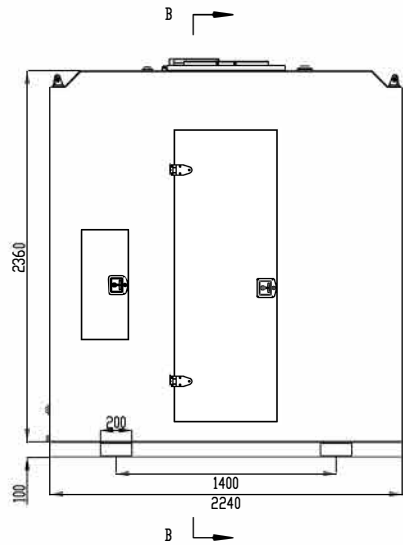


DESIGNER:		SIGNATURE:		DATE:		MATERIAL:		WEIGHT:		TITLE:	
CHECKED:		DATE:		MATERIAL:		WEIGHT:		TITLE:		STORE-16	
VERIFIED:		DATE:		MATERIAL:		WEIGHT:		TITLE:		STORE SELF BUNDED TANK	
APPROVED:		DATE:		MATERIAL:		WEIGHT:		TITLE:		16000L	
SIGNATURE:		DATE:		MATERIAL:		WEIGHT:		TITLE:		PART NO.:	
CHECKED:		DATE:		MATERIAL:		WEIGHT:		TITLE:		DWG. NO.:	
VERIFIED:		DATE:		MATERIAL:		WEIGHT:		TITLE:		SHEET :	
APPROVED:		DATE:		MATERIAL:		WEIGHT:		TITLE:		1 TOTAL SHEET : 4 SCALE : NTS	

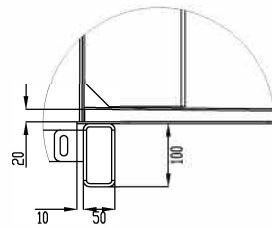


TANK DATA	
CONTENT	Diesel
EXTERNAL SIZE	3950 x 2240 x 2520 mm
INTERNAL SIZE	3240 x 2172 x 2350 mm
GROSS VOLUME	16,000 litres
SAFEFILL LEVEL	15,000 litres

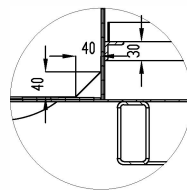
<small>NOTES:</small> ALL DIMENSIONS IN MM UNLESS STATED OTHERWISE. ALL TOLERANCES TO BE AS FOLLOWS: DIM : DIA : HOLE :			TITLE : STORE-16	
DESIGN	SIGN		MATERIAL	WEIGHT
CHECKED	CHEN KA	0235B	3,550 kgs	PART NO : STORE SELF BUNDED TANK 16000L
VERIFIED				
APPROVED			REVISION 01	DWG. NO. SHEET : 2 TOTAL SHEET : 4 SCALE : NTS



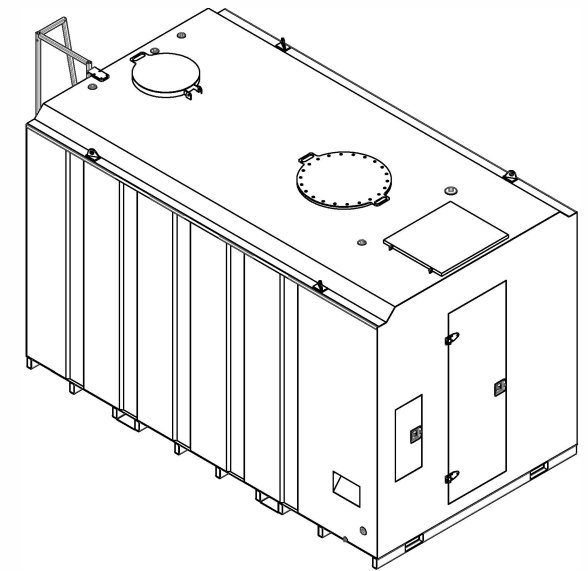
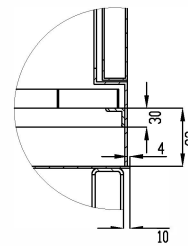
I
1 : 10



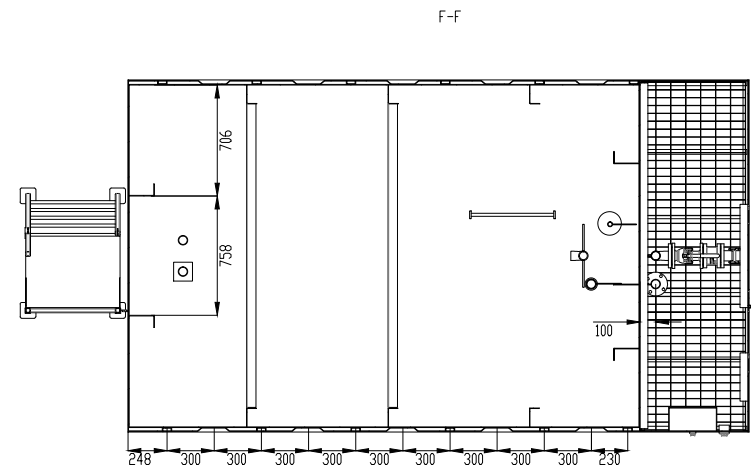
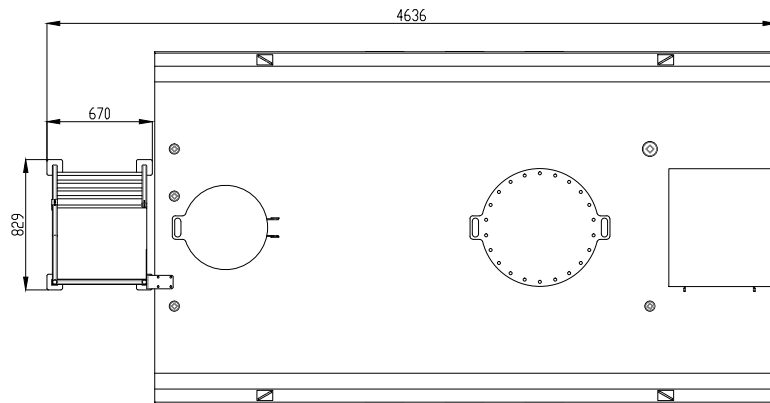
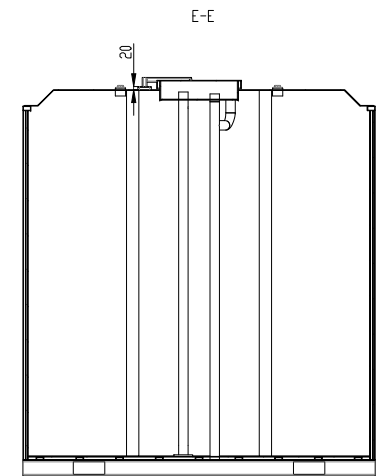
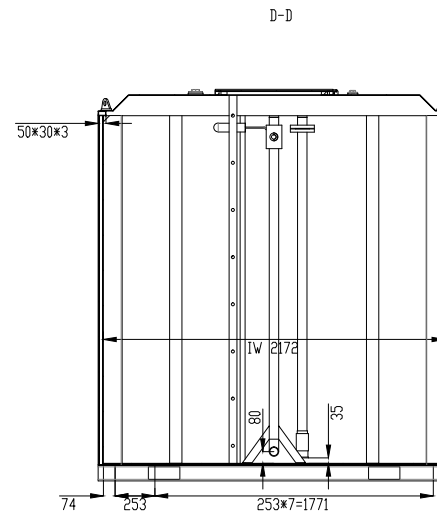
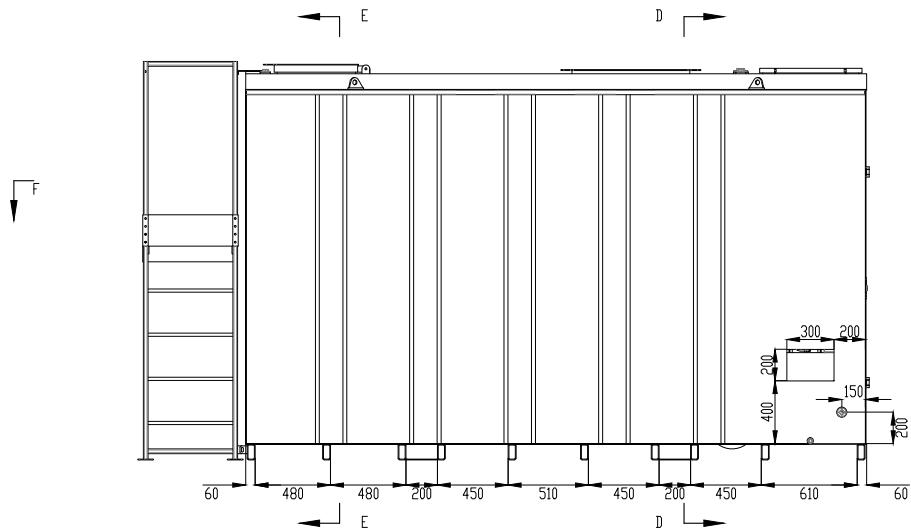
II
1 : 10



III
1 : 10



(UNLESS OTHERWISE SPECIFIED) ALL DIMENSIONS IN MM. UNLESS SPECIFIED OTHERWISE, ALL DIMENSIONS TO BE AS FOLLOW:				TITLE : STORE-16	
DESIGN CHECKED VERIFIED APPROVED	SIGN CHEN KAI	DATE 2023.7.	MATERIAL Q235B	WEIGHT 3,550 kgs	PART NO. STORE SELF BUNDED TANK 16000L
REVISION 01			SHEET : 3 TOTAL SHEET : 4 SCALE : NTS		



1:20000-1-1001 DIMENSIONS : ALL DIMENSIONS IN MM UNLESS STATED OTHERWISE. ALL TOLERANCES TO BE AS FOLLOWS : Ø : DIM : ANG :			TITLE : STORE-16	
DESIGN : CHECKED : CHEN KAI VERIFIED : APPROVED :			MATERIAL : 0235B	WEIGHT : 3,550 kgs
PART NO : STORE SELF BUNDED TANK 16000L		DWG. NO. : REVISION 01 SHEET : 4 TOTAL SHEET : 4 SCALE : NTS		