
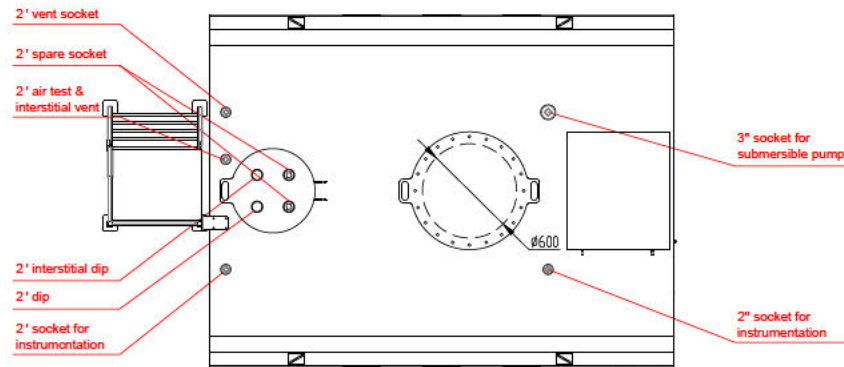
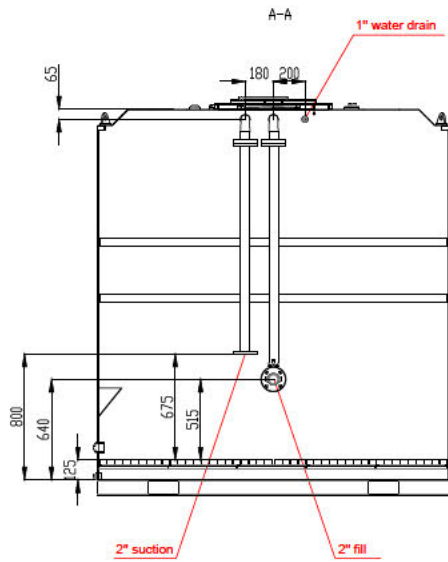
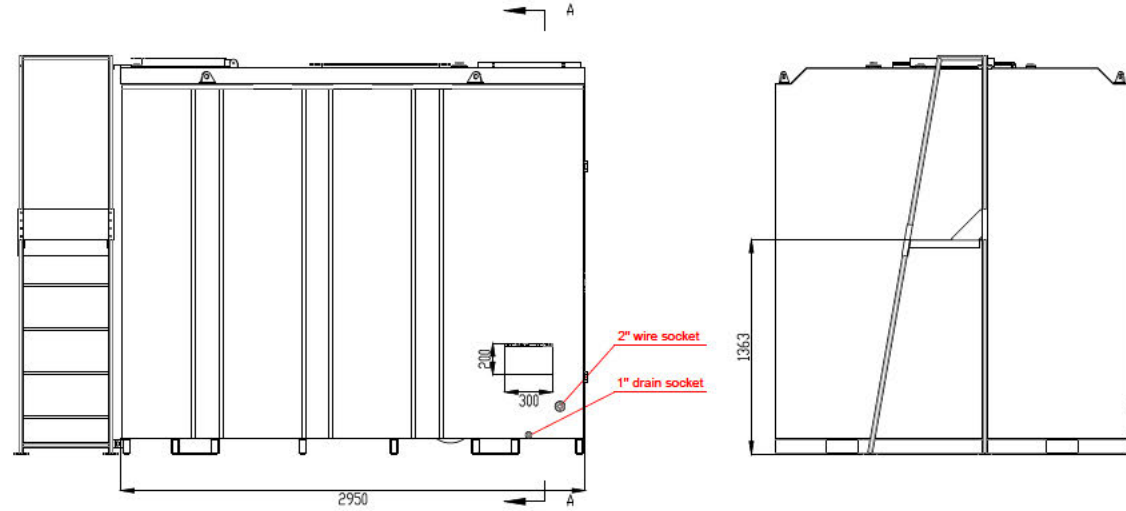
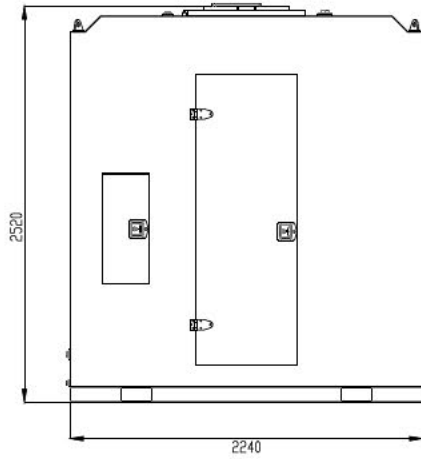
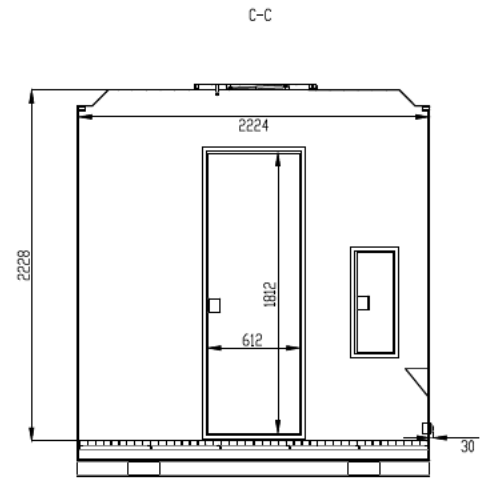
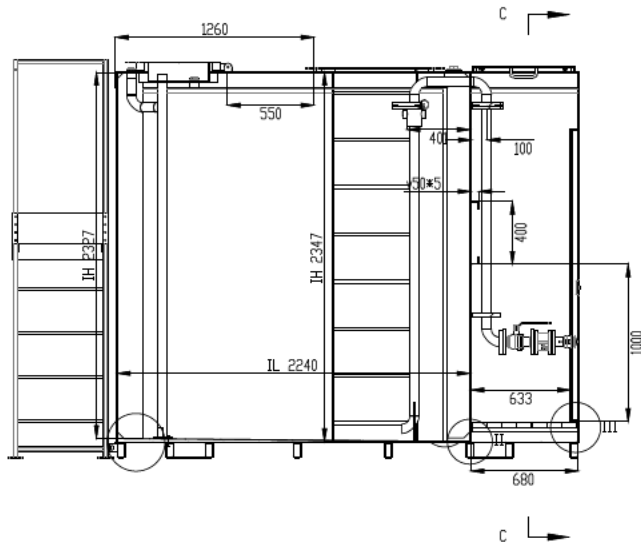
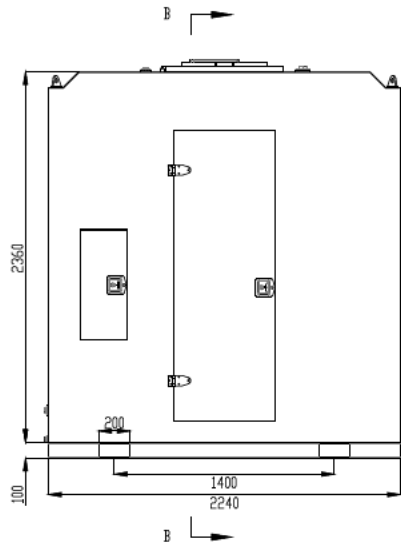


REMSKIN ALL DIMENSIONS IN MM UNLESS STATED OTHERWISE ALL TOLERANCES TO BE AS FOLLOWS: TO : 0.0 0.05 0.1 0.2 0.5 1.0 2.0 5.0 10.0 20.0 50.0 100.0 200.0 500.0 1000.0				TITLE: STORE SELF BUNDED TANK 11000L	
DESIGN CHECKED VERIFIED APPROVED		SKIN DATE 2019.8.25		PART NO: STORE-11	
		MATERIAL 02.35B		WEIGHT 3,075 kgs	
				DWG. NO. SHEET : 1 TOTAL SHEET : 4 SCALE : NYS	

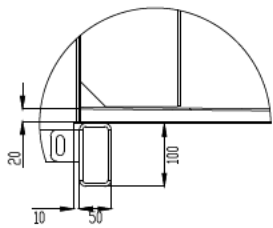


TANK DATA	
CONTENT	Diesel
EXTERNAL SIZE	2950 x 2240 x 2520 mm
INTERNAL SIZE	2240 x 2172 x 2347 mm
GROSS VOLUME	11,000 litres
SAFEFILL LEVEL	10,000 litres

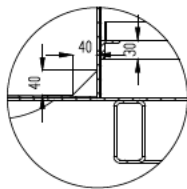
REMARKS: ALL DIMENSIONS IN MM UNLESS STATED OTHERWISE. ALL TOLERANCES TO BE AS FOLLOWS: ± 0.5 ± 0.3 ± 0.2					TITLE: STORE SELF BUNDED TANK 11000L PART NO: STORE-11	
DESIGN	SKN	DATE	MATERIAL	WEIGHT	DWG. NO.	
CHECKED	CHEN KAI	2019.8.25	Q235B	3,075 kgs		
VERIFIED					SHEET : 2 TOTAL SHEET : 4 SCALE : NTS	
APPROVED			REVISION	01		



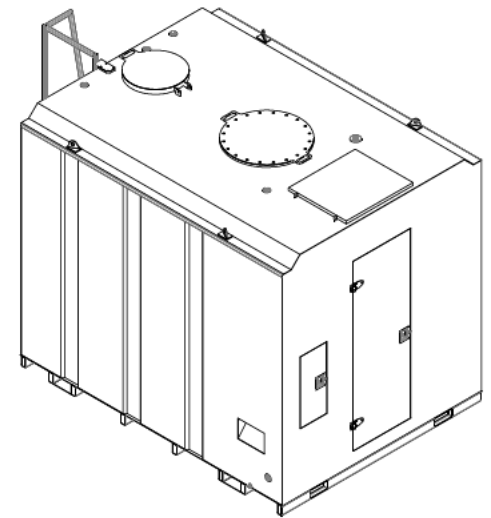
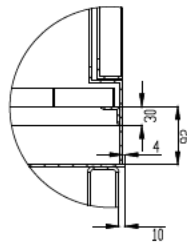
I
1 : 10



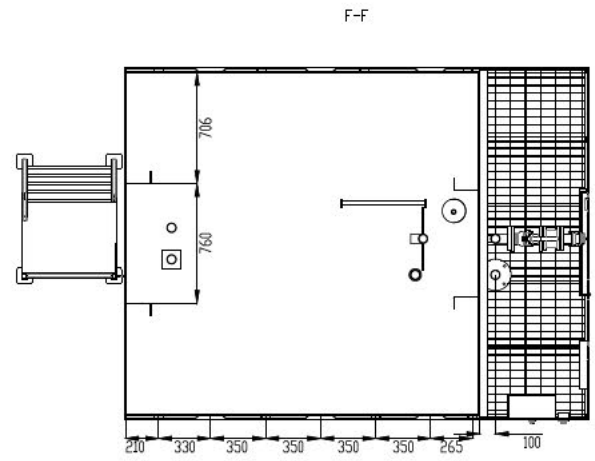
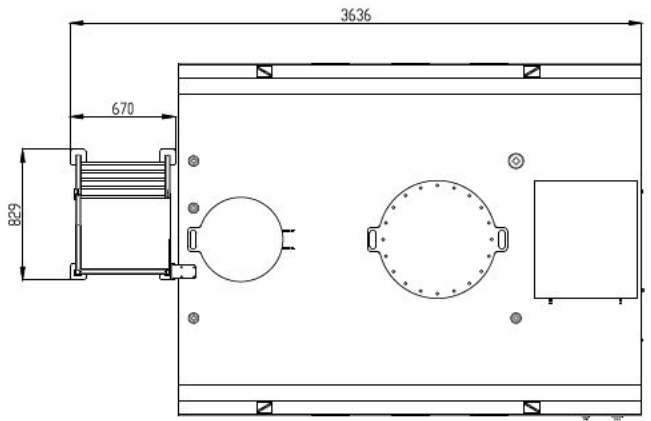
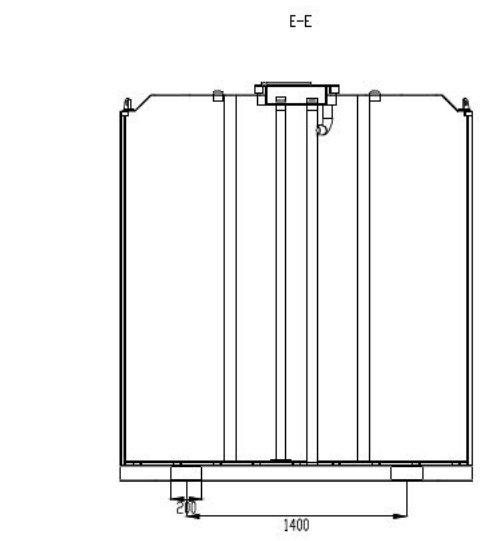
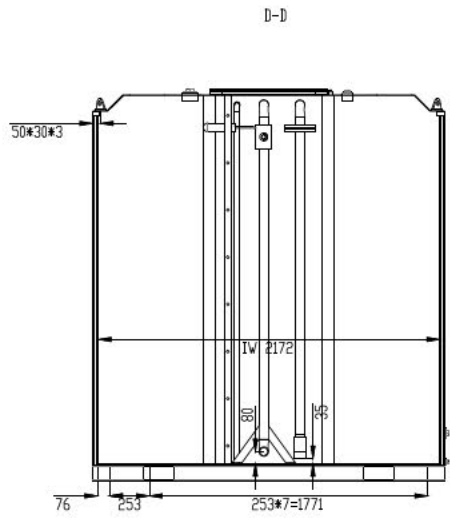
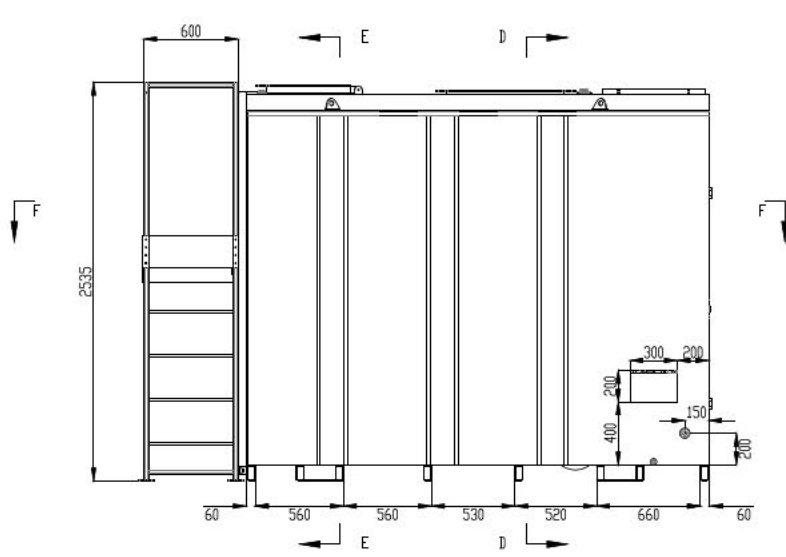
II
1 : 10



III
1 : 10



REMARKS: ALL DIMENSIONS IN MM UNLESS STATED OTHERWISE. ALL TOLERANCES TO BE AS FOLLOWS: ± 0.5 ± 0.3 ± 0.2				 www.go.com.sg		TITLE: STORE SELF BUNDED TANK 11000L	
				PART NO: STORE-11			
DESIGN	SKN	DATE	MATERIAL	WEIGHT	DWG. NO.		
CHECKED	CHEN KAI	2019.8.25	Q235B	3,075 kgs			
VERIFIED					SHEET : 3 TOTAL SHEET : 4 SCALE : NTS		
APPROVED							



REMARKS: ALL DIMENSIONS IN MM UNLESS STATED OTHERWISE. ALL TOLERANCES TO BE AS FOLLOWS: ±0.1 ±0.2 ±0.3					TITLE: STORE SELF BUNDED TANK 11000L	
					PART NO: STORE-11	
DESIGN	SKN	DATE	MATERIAL	WEIGHT	DWG. NO.	
CHECKED	CHEN KAI	2019.8.25	Q235B	3,075 kgs		
VERIFIED					SHEET :	
APPROVED					4	TOTAL SHEET : 4
					SCALE :	NTS