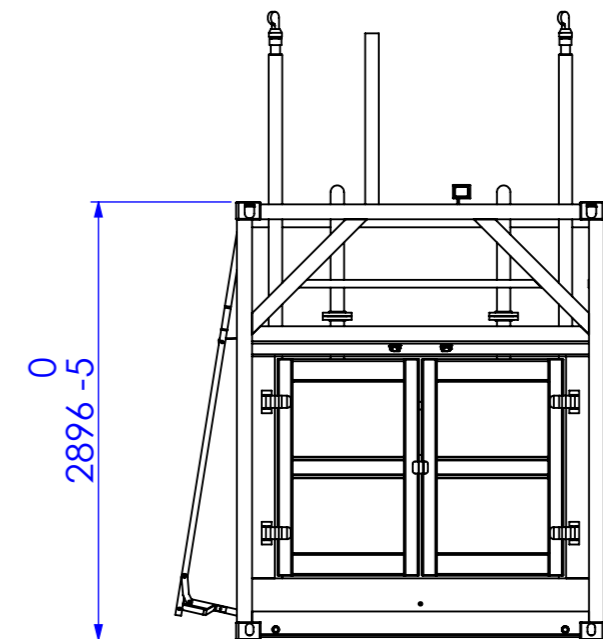
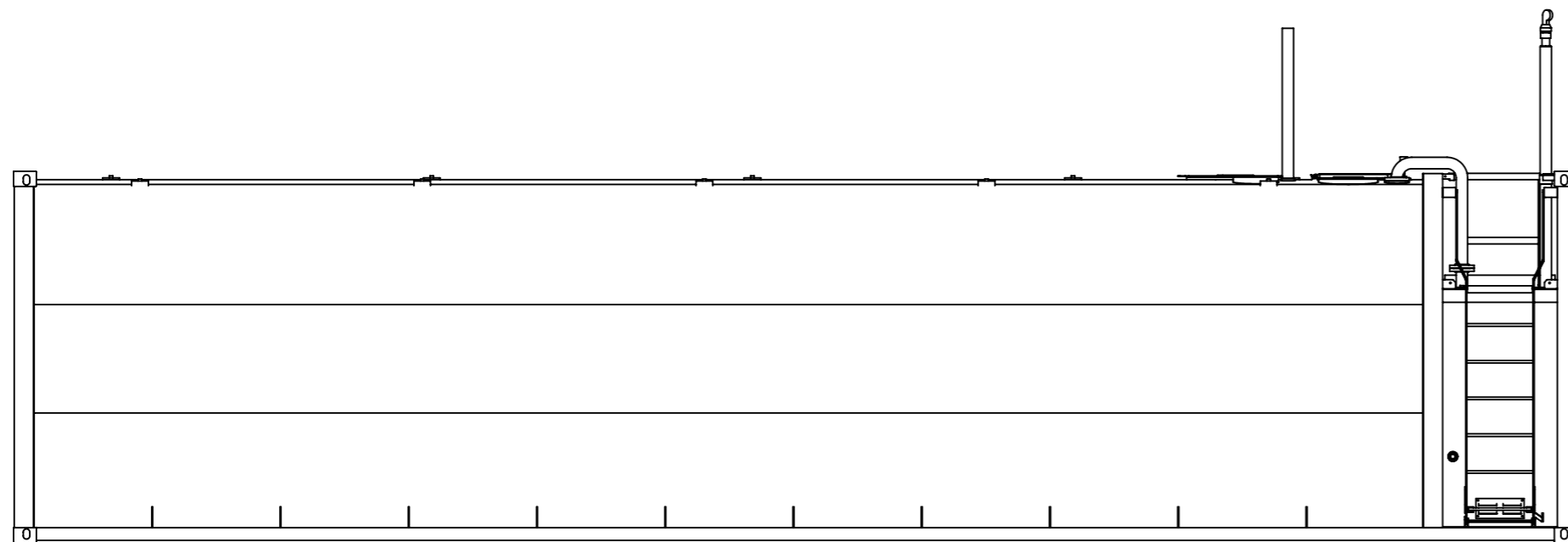
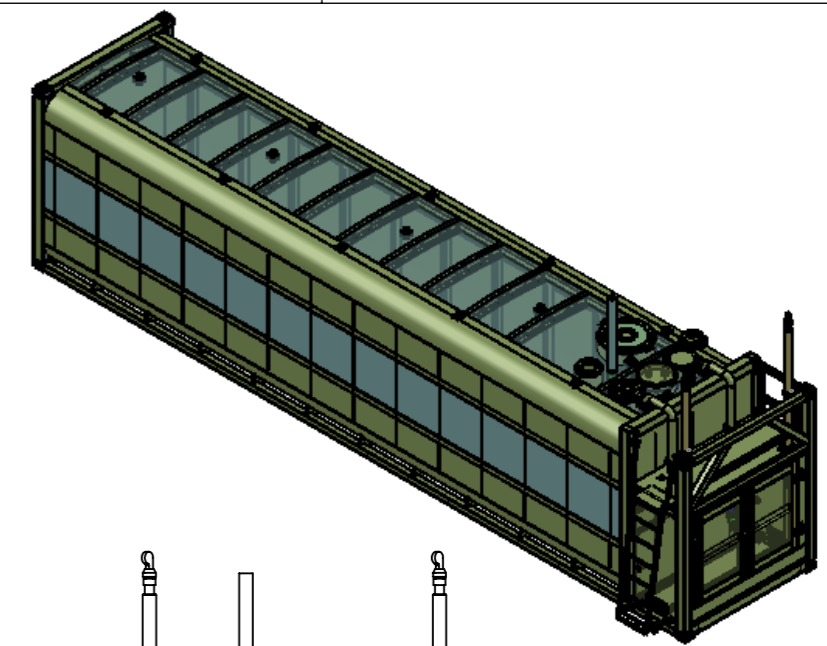
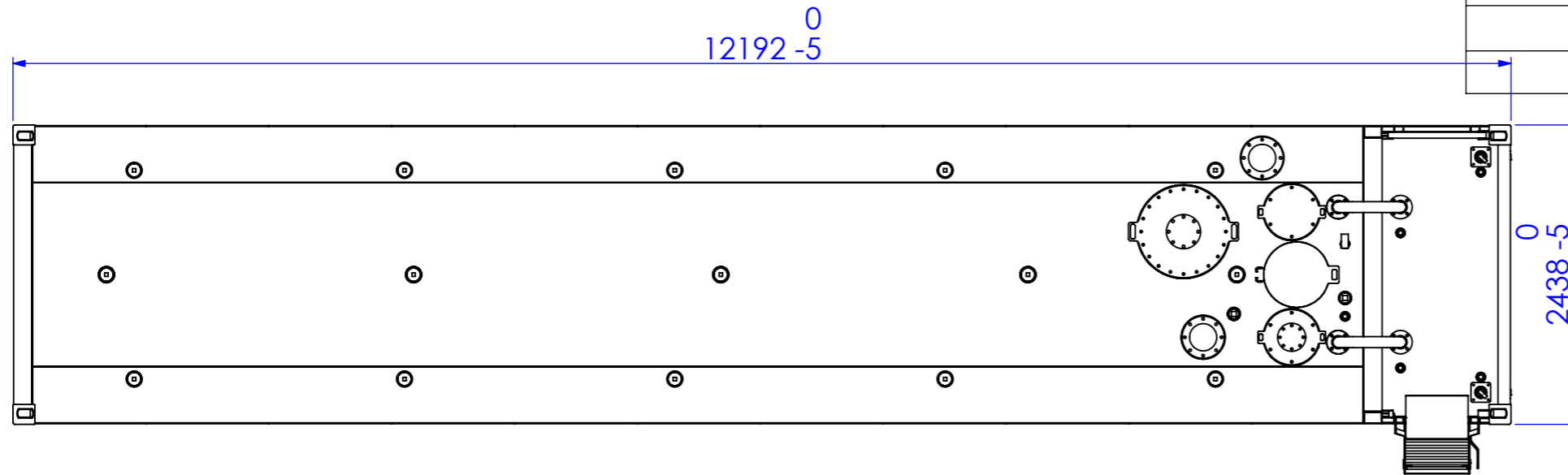


DO NOT SCALE FROM DRAWING. IF IN DOUBT: ASK


UNLESS OTHERWISE SPECIFIED, ALL DIMENSIONS ARE IN MILLIMETRES

BEWARE OF 100mm MEASURING ERROR

TANK DATA	
TANK CONTENTS:	GASOLINE
DESIGNED TO:	UL2085
BUILT TO:	UL2085
CORROSION ALLOW.	0mm
OUTER WALL THICKNESS/INNER WALL THICKNESS	6mm/6mm
GROSS VOLUME:	52,255L
SAFE FILL LEVEL	49,640L
TEST:	21-35KPa
TOTAL MASS:	24,364kg



THIRD ANGLE PROJECTION	
DRAWN	2021/3/15
CHK'D	
APPV'D	



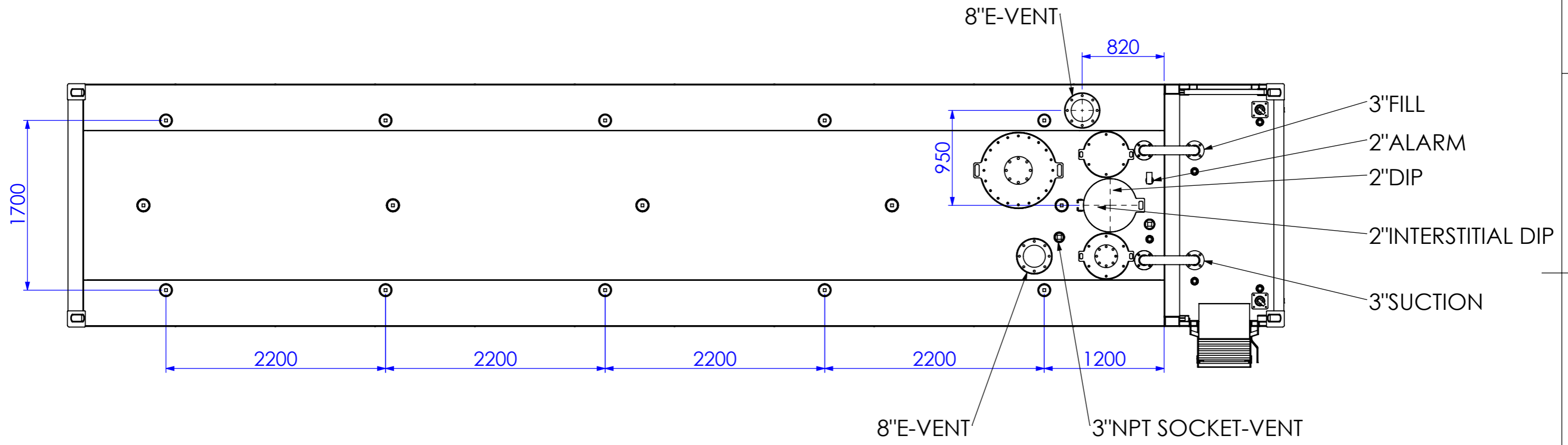
 TOLERANCE U.N.O.
 0 = -1.0
 0.0 = -0.4
 0.00 = -0.1
 MATERIAL:
 WEIGHT: Kg

DWG NO. / PART NO.	JOB NO.
FR-50 Fire Rated Self Bunded Tank	
TITLE:	SHEET SIZE A3
SCALE: N.T.S.	SHEET 1 OF 3
REVISION	

DO NOT SCALE FROM DRAWING. IF IN DOUBT: ASK

UNLESS OTHERWISE SPECIFIED, ALL DIMENSIONS ARE IN MILLIMETRES

BEWARE OF 100mm MEASURING ERROR

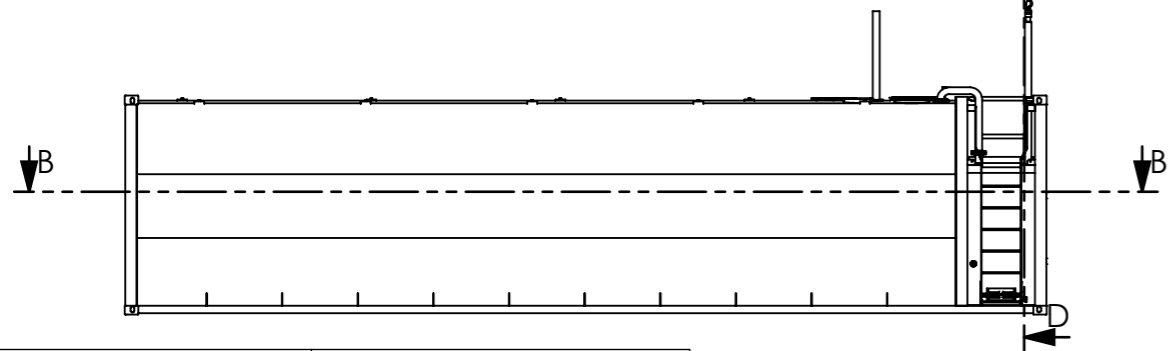
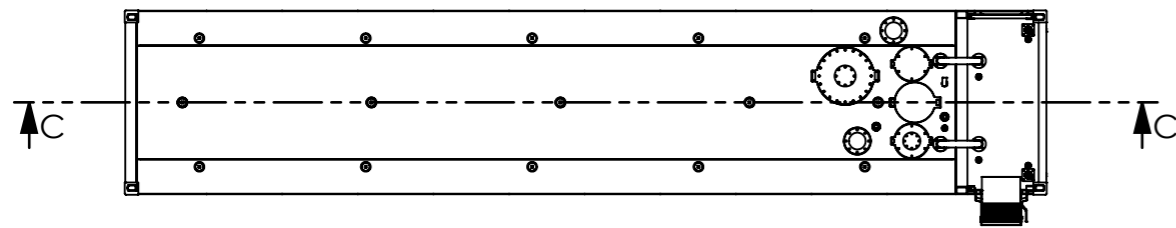
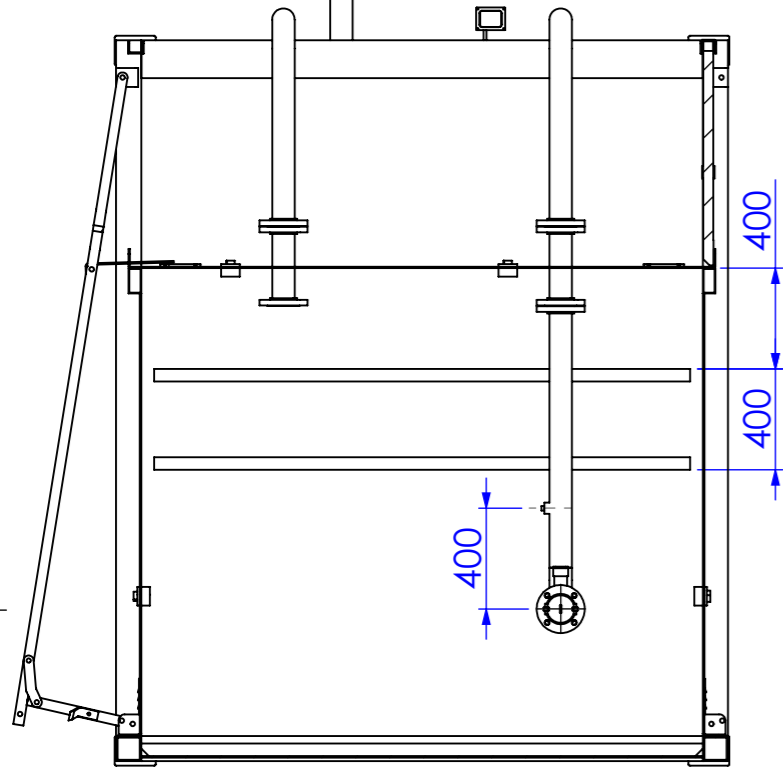
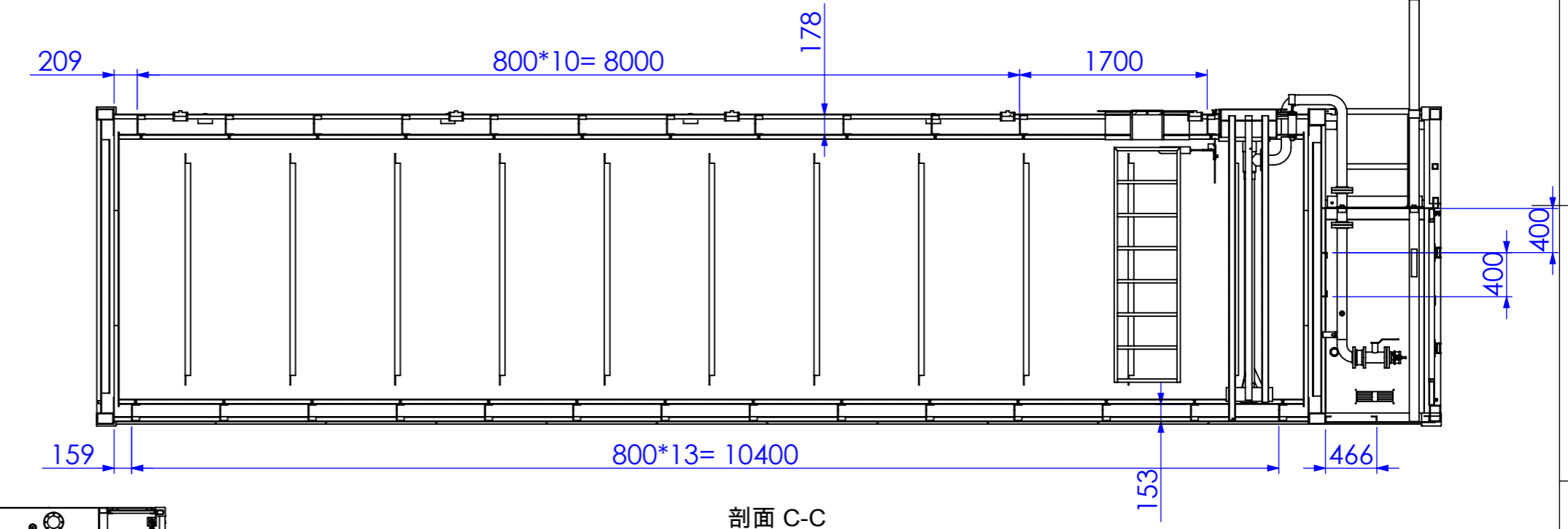
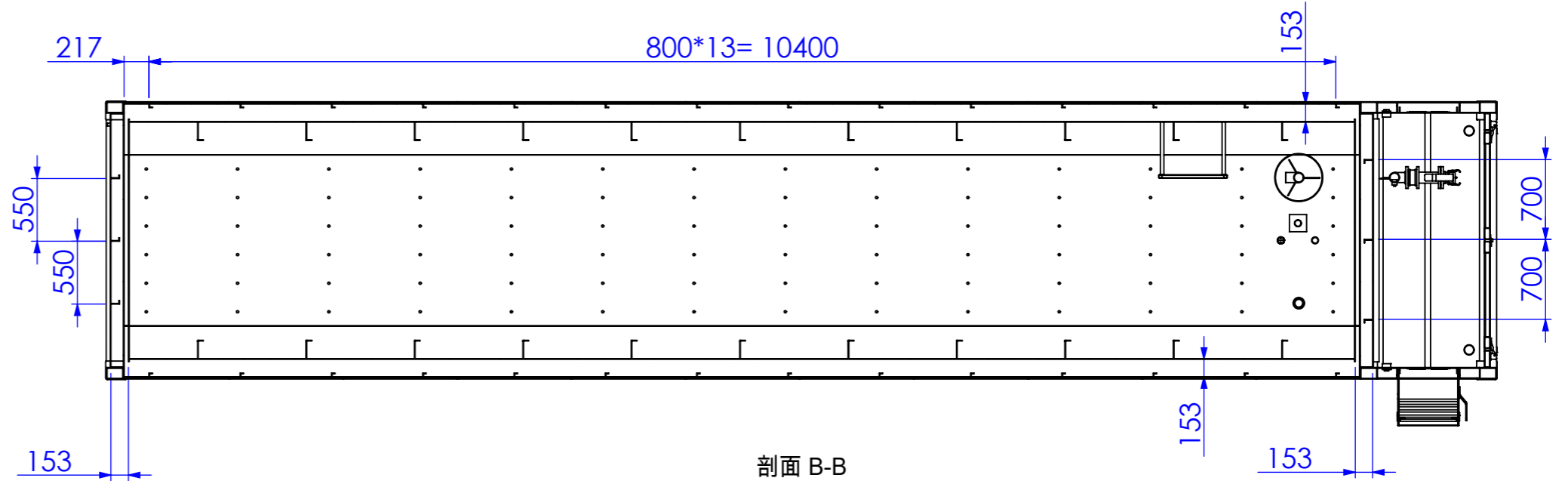


THIRD ANGLE PROJECTION			DWG NO. / PART NO.	JOB NO.
			FR-50 Fire Rated Self Bunded Tank	
		TITLE:		SHEET SIZE A3
		SCALE: N.T.S.		SHEET 2 OF 3
NAME	DATE	TOLERANCE U.N.O.	REVISION	
DRAWN	2021/3/15	0 = -1.0		
CHK'D		0.0 = -0.4		
APPV'D		0.00 = -0.1		
		MATERIAL:	WEIGHT: Kg	

DO NOT SCALE FROM DRAWING. IF IN DOUBT: ASK

UNLESS OTHERWISE SPECIFIED, ALL DIMENSIONS ARE IN MILLIMETRES

BEWARE OF 100mm MEASURING ERROR



THIRD ANGLE PROJECTION			
DRAWN	NAME	DATE	
CHK'D		2021/3/15	
APPV'D			



DWG NO. / PART NO.	JOB NO.
--------------------	---------

FR-50 Fire Rated Self Bunded Tank

TITLE:	SHEET SIZE
	A3
SCALE: N.T.S.	REVISION

SHEET 3 OF 3