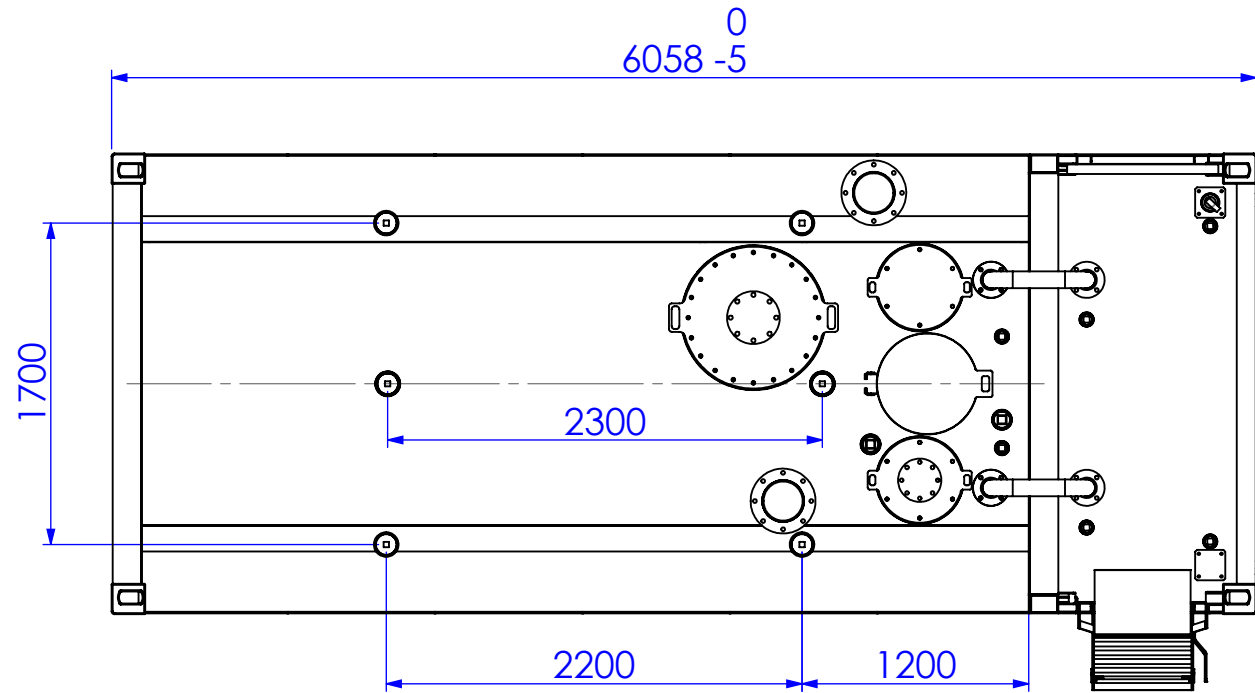


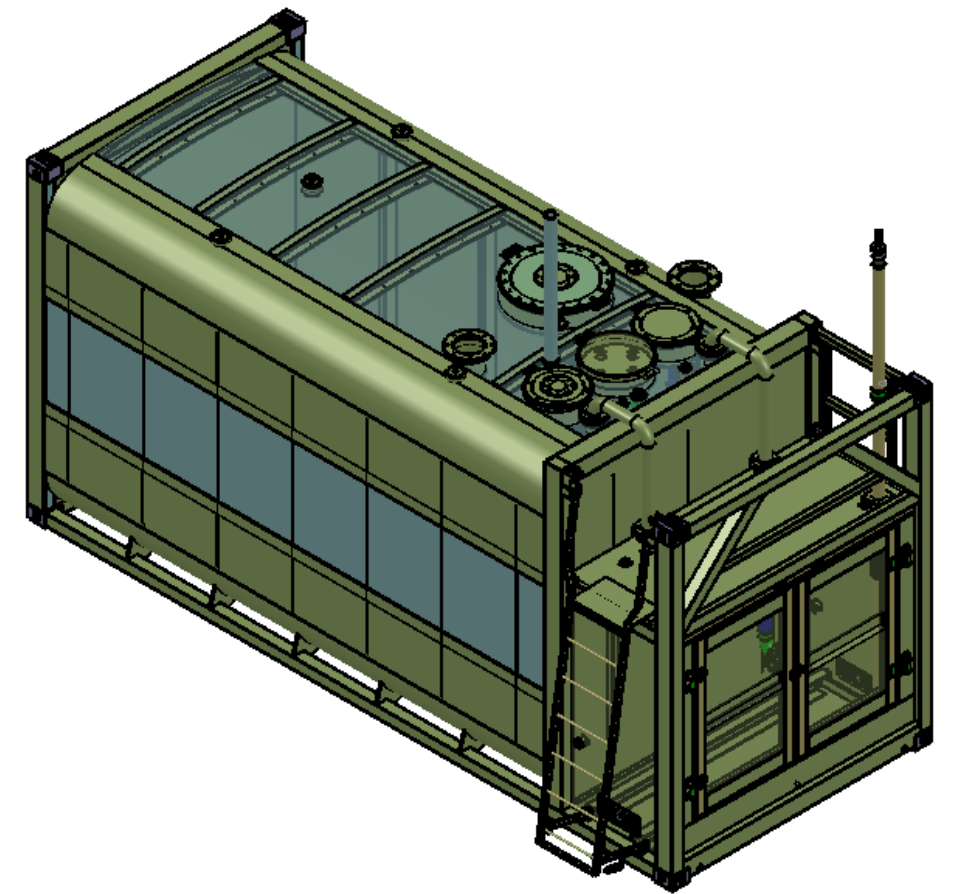
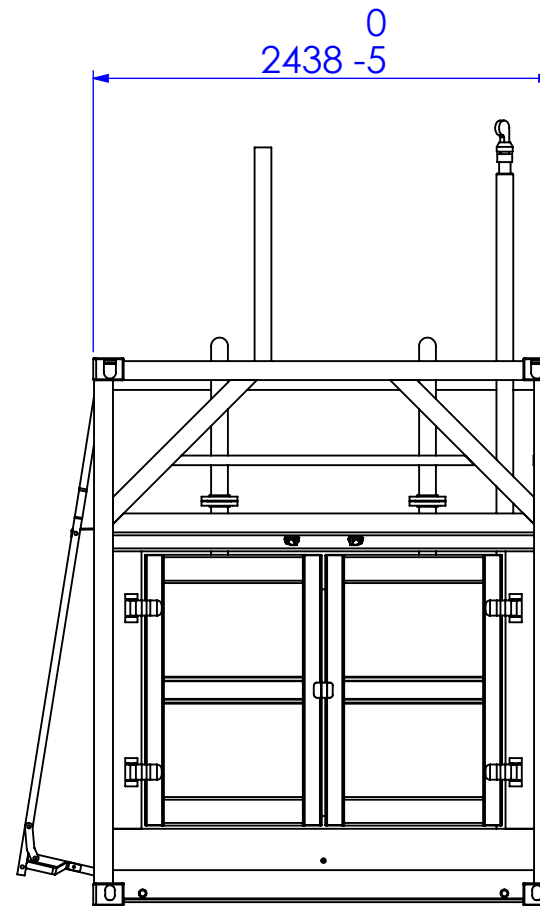
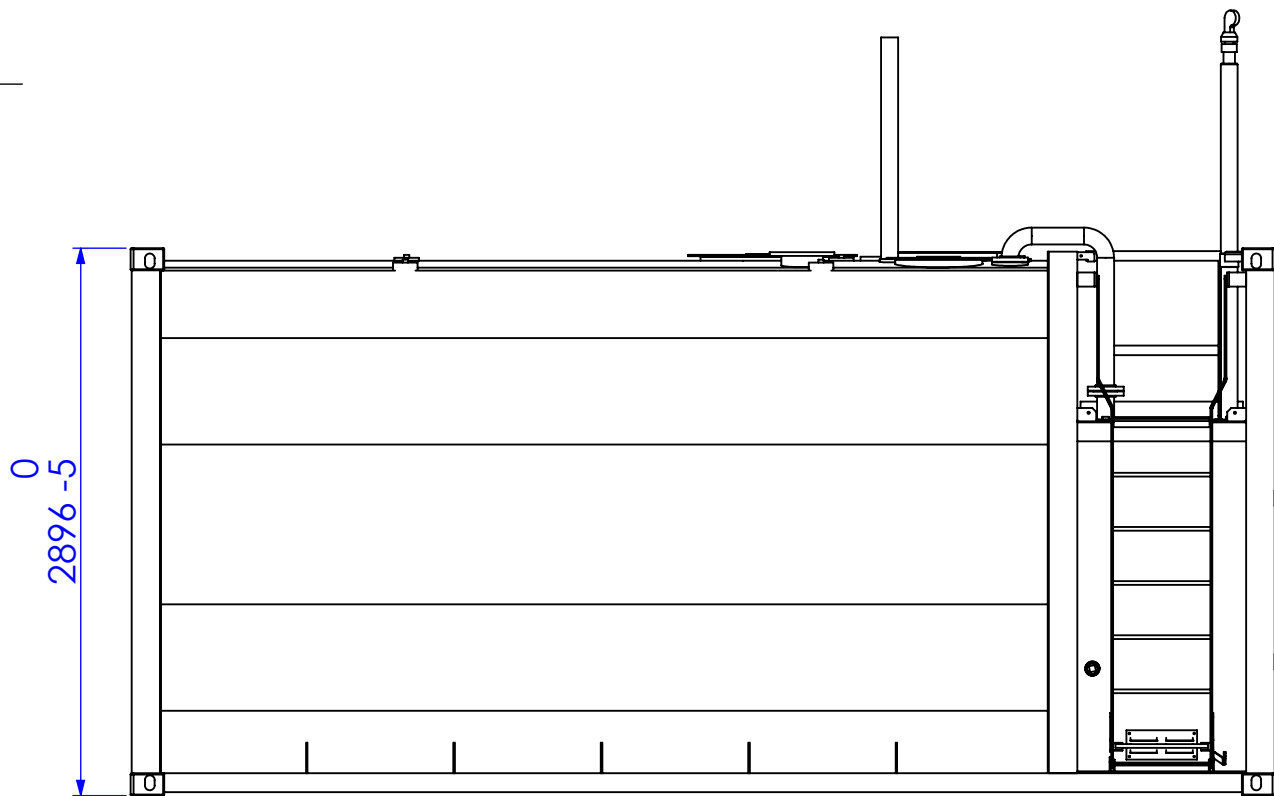
DO NOT SCALE FROM DRAWING. IF IN DOUBT: ASK

UNLESS OTHERWISE SPECIFIED, ALL DIMENSIONS ARE IN MILLIMETRES

BEWARE OF 100mm MEASURING ERROR



TANK DATA	
TANK CONTENTS:	GASOLINE
DESIGNED TO:	UL2085
BUILT TO:	UL2085
CORROSION ALLOW.	0mm
OUTER WALL THICKNESS/INNER WALL THICKNESS	6mm/6mm
GROSS VOLUME:	25,465L
SAFE FILL LEVEL	24,190L
TEST:	21-35KPa
TOTAL MASS:	11046kg



THIRD ANGLE PROJECTION

NAME	DATE
DRAWN	2018/1/9
CHK'D	
APPV'D	



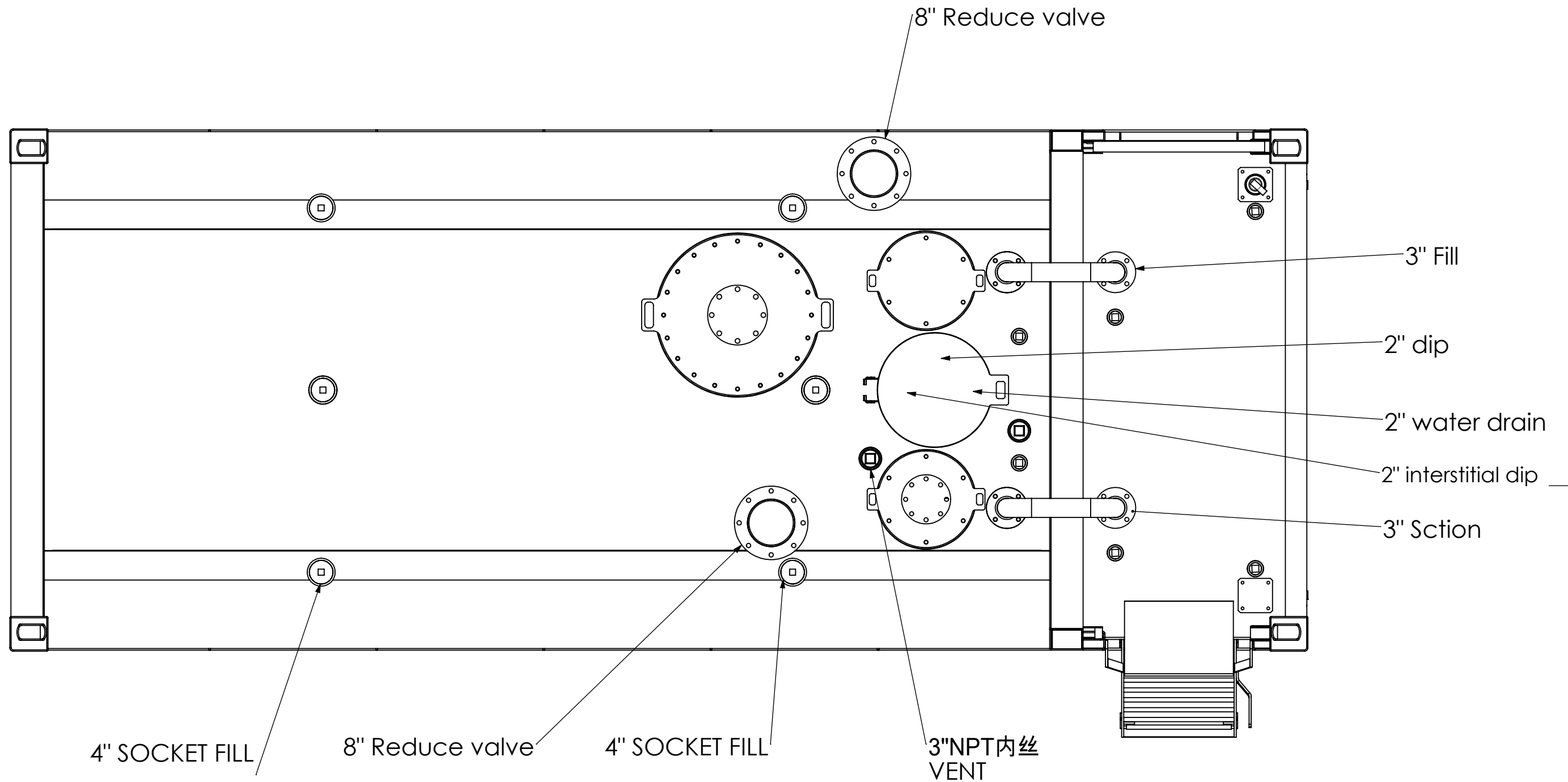
DWG NO. / PART NO.	JOB NO.
CLIENT: FR-25 UL2085 Fire Rated Tank Self Bunded	
TITLE:	SHEET SIZE A3
SCALE: N.T.S.	SHEET 1 OF 5
	REVISION

TOLERANCE U.N.O.  
 0 = -1.0  
 0.0 = -0.4  
 0.00 = -0.1  
 WEIGHT: Kg

DO NOT SCALE FROM DRAWING. IF IN DOUBT: ASK

UNLESS OTHERWISE SPECIFIED, ALL DIMENSIONS ARE IN MILLIMETRES

BEWARE OF 100mm MEASURING ERROR



THIRD ANGLE PROJECTION

**FIREGUARD**  
LIGHTWEIGHT DOUBLE WALL  
ROOF/TANK INSTITUTE

	NAME	DATE
DRAWN		2018/1/9
CHK'D		
APPV'D		



DWG NO. / PART NO.		JOB NO.	
CLIENT: <b>FR-25 UL2085 Fire Rated Tank Self Bunded</b>			
TITLE:			SHEET SIZE <b>A3</b>
SCALE: N.T.S.		SHEET 2 OF 5	
		REVISION	

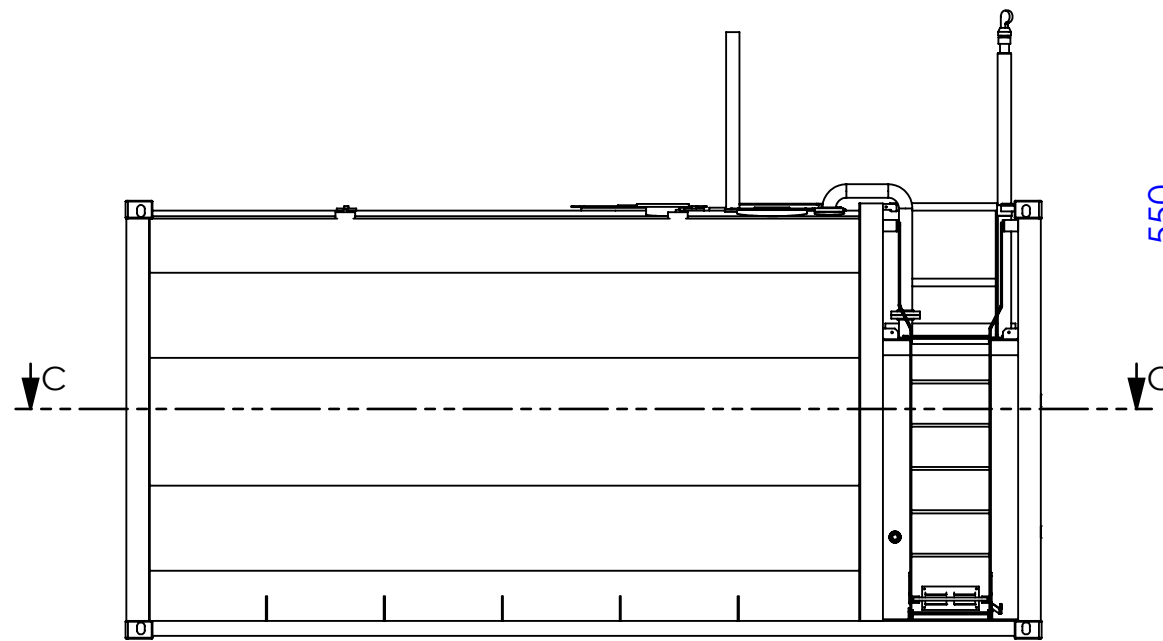
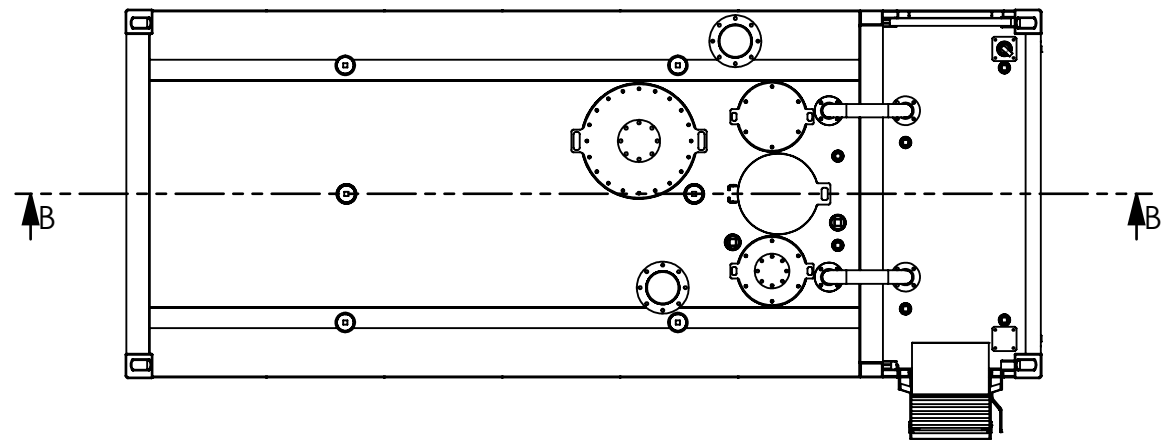
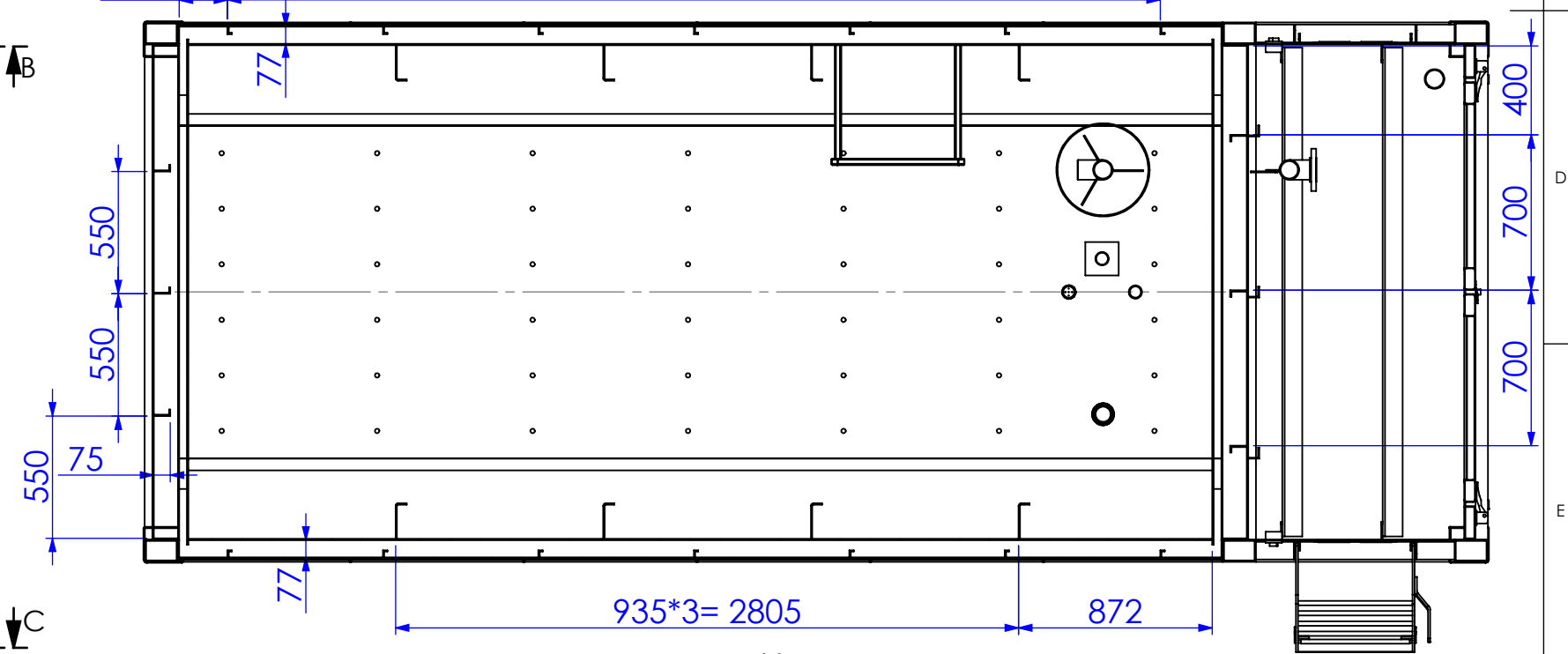
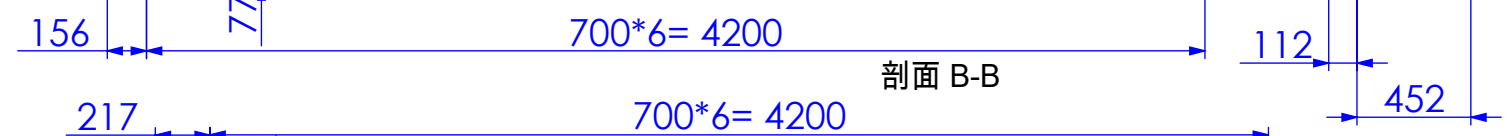
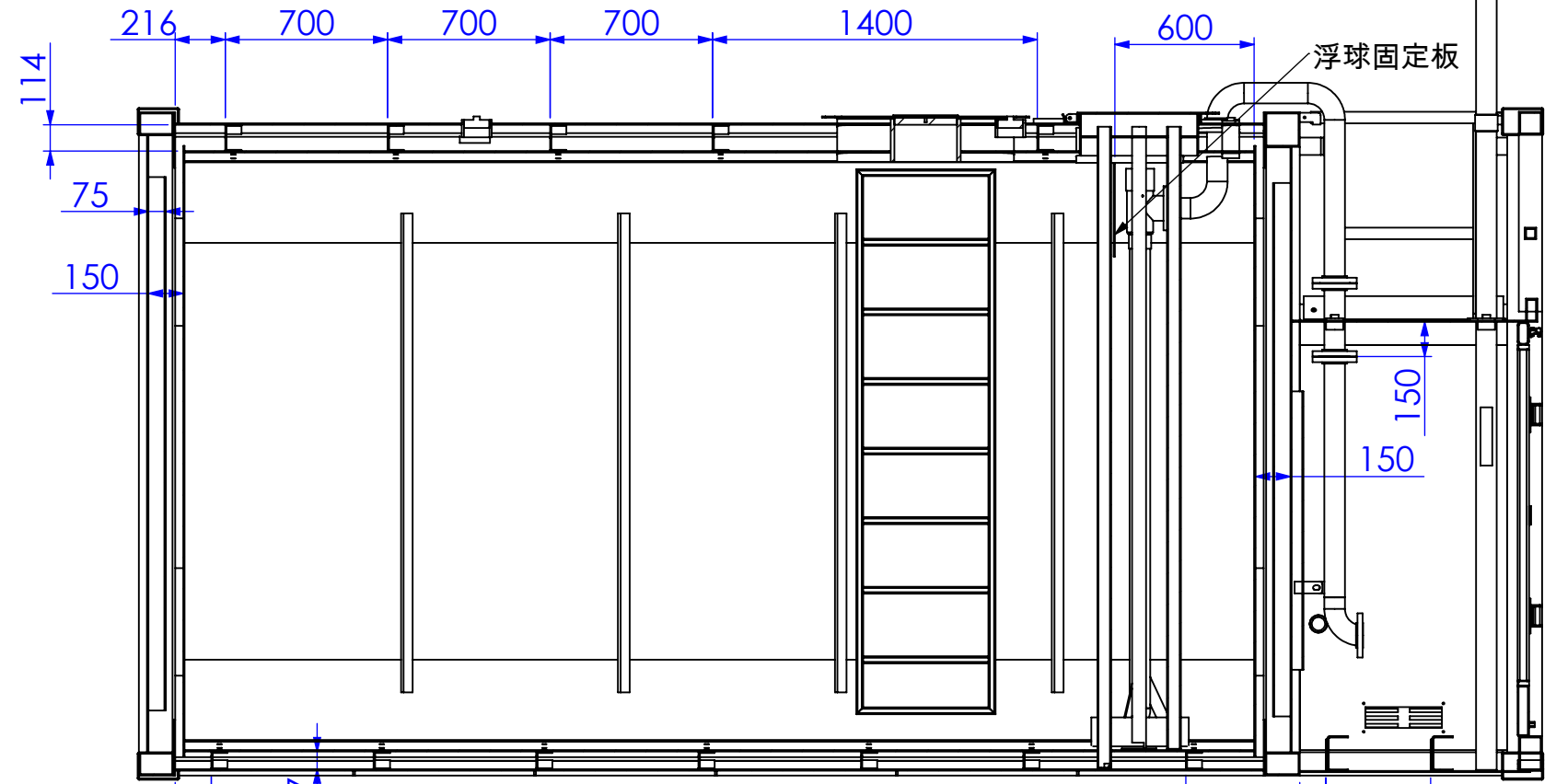
TOLERANCE U.N.O.  
0 = -1.0  
0.0 = -0.4  
0.00 = -0.1

MATERIAL:  
WEIGHT: Kg


DO NOT SCALE FROM DRAWING. IF IN DOUBT: ASK

UNLESS OTHERWISE SPECIFIED, ALL DIMENSIONS ARE IN MILLIMETRES

BEWARE OF 100mm MEASURING ERROR



THIRD ANGLE PROJECTION



NAME	DATE
DRAWN	2018/1/9
CHK'D	
APP'V'D	



TOLERANCE U.N.O.  
 0 = -1.0  
 0.0 = -0.4  
 0.00 = -0.1

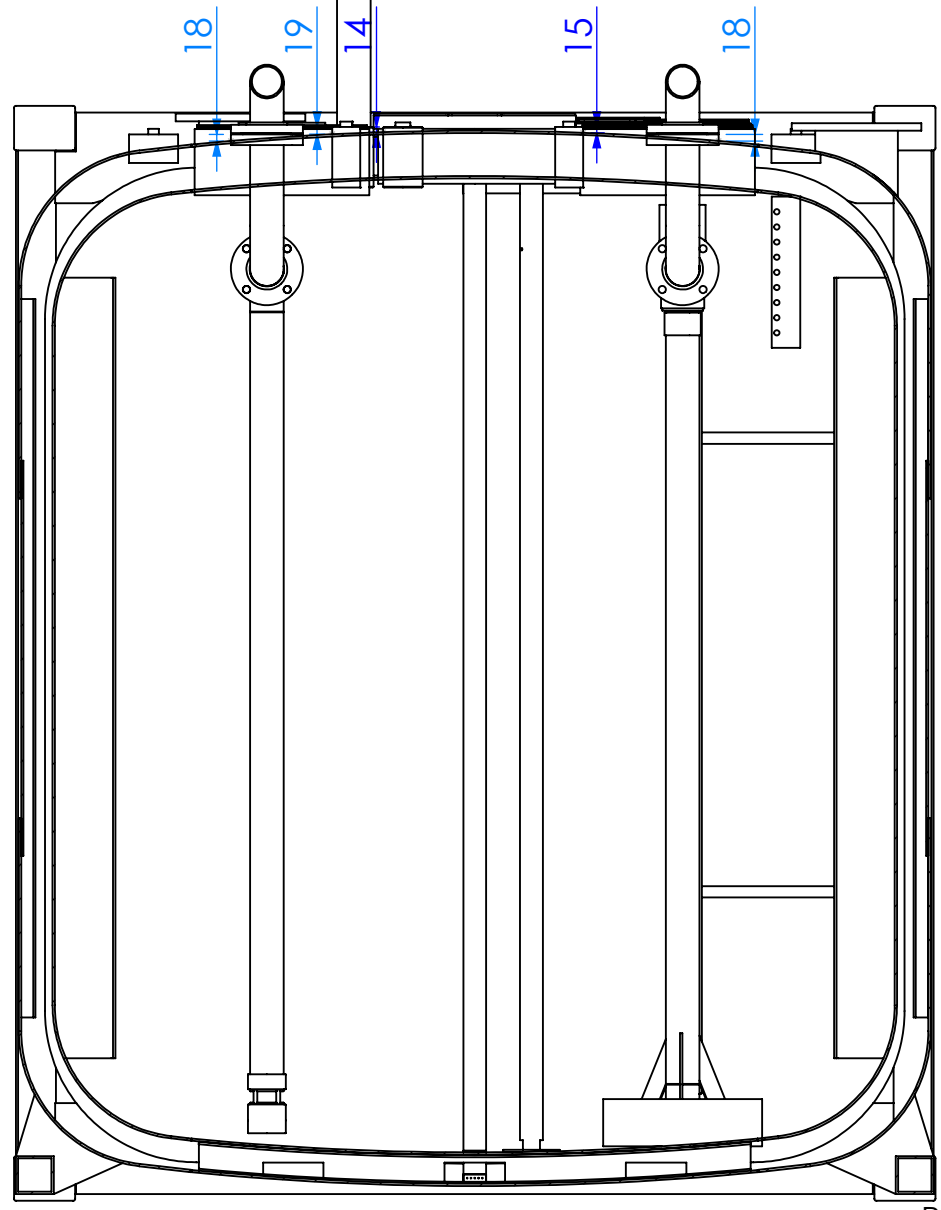
MATERIAL:  
 WEIGHT: Kg

DWG NO. / PART NO.	JOB NO.
CLIENT: FR-25 UL2085 Fire Rated Tank Self Bundled	
TITLE:	
SCALE: N.T.S.	SHEET 3 OF 5
SHEET SIZE A3	
REVISION	

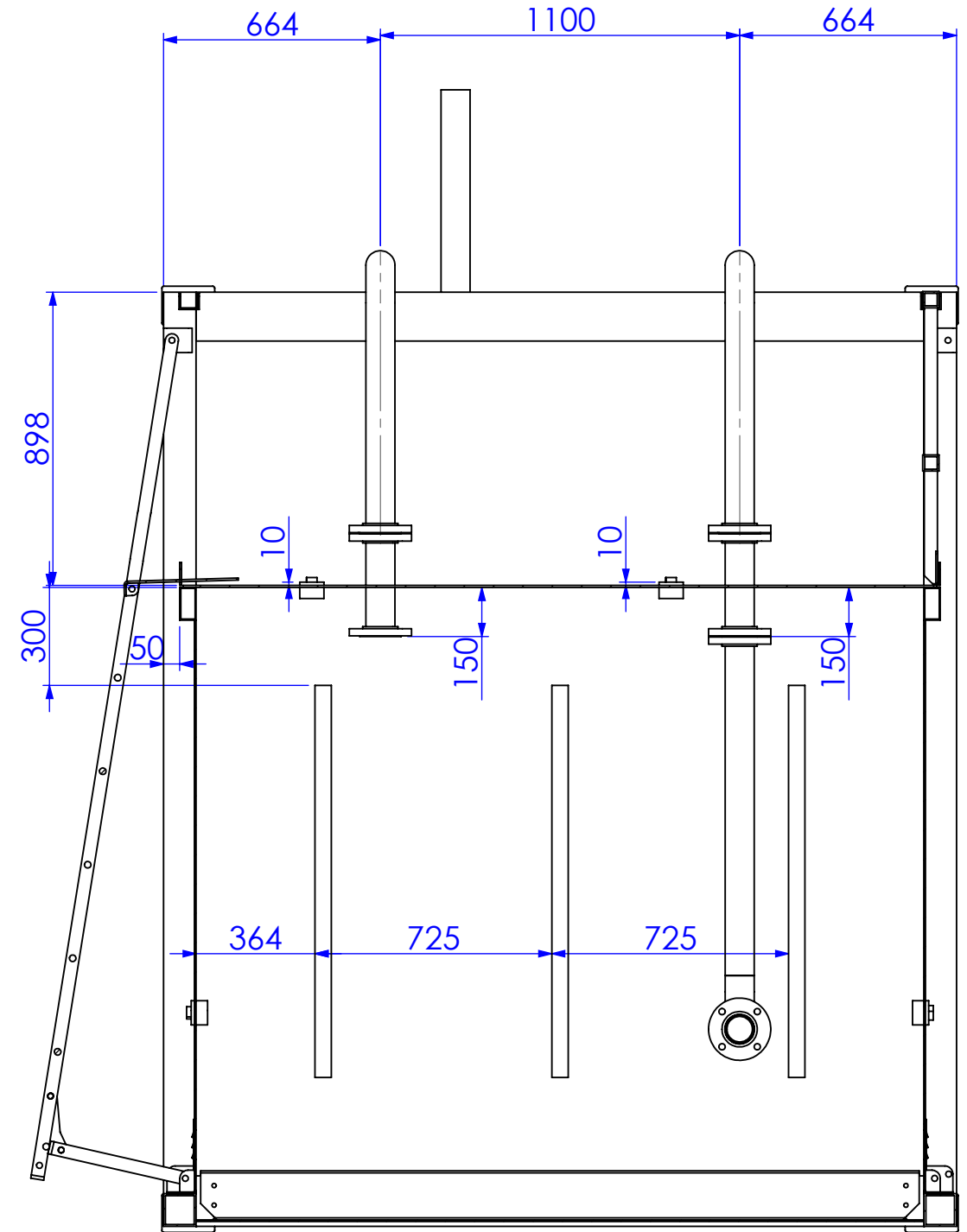
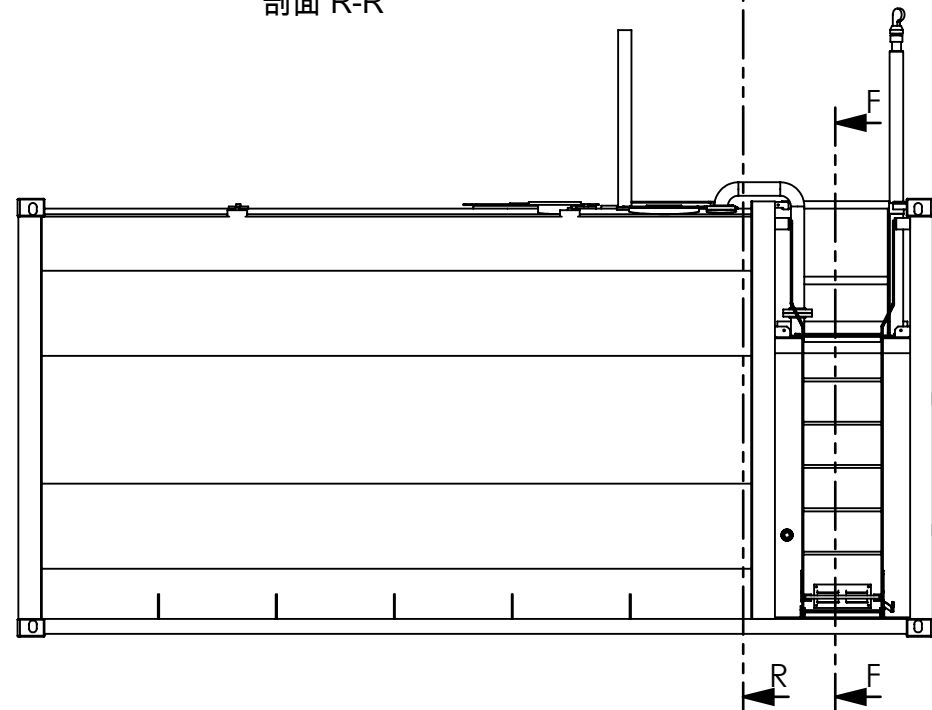
DO NOT SCALE FROM DRAWING. IF IN DOUBT: ASK

UNLESS OTHERWISE SPECIFIED, ALL DIMENSIONS ARE IN MILLIMETRES


BEWARE OF 100mm MEASURING ERROR



剖面 R-R



剖面 F-F

THIRD ANGLE PROJECTION			
DRAWN	NAME	DATE	TOLERANCE U.N.O.
CHK'D		2018/1/9	0 = -1.0 0.0 = -0.4 0.00 = -0.1
APP'V'D			MATERIAL: WEIGHT: Kg

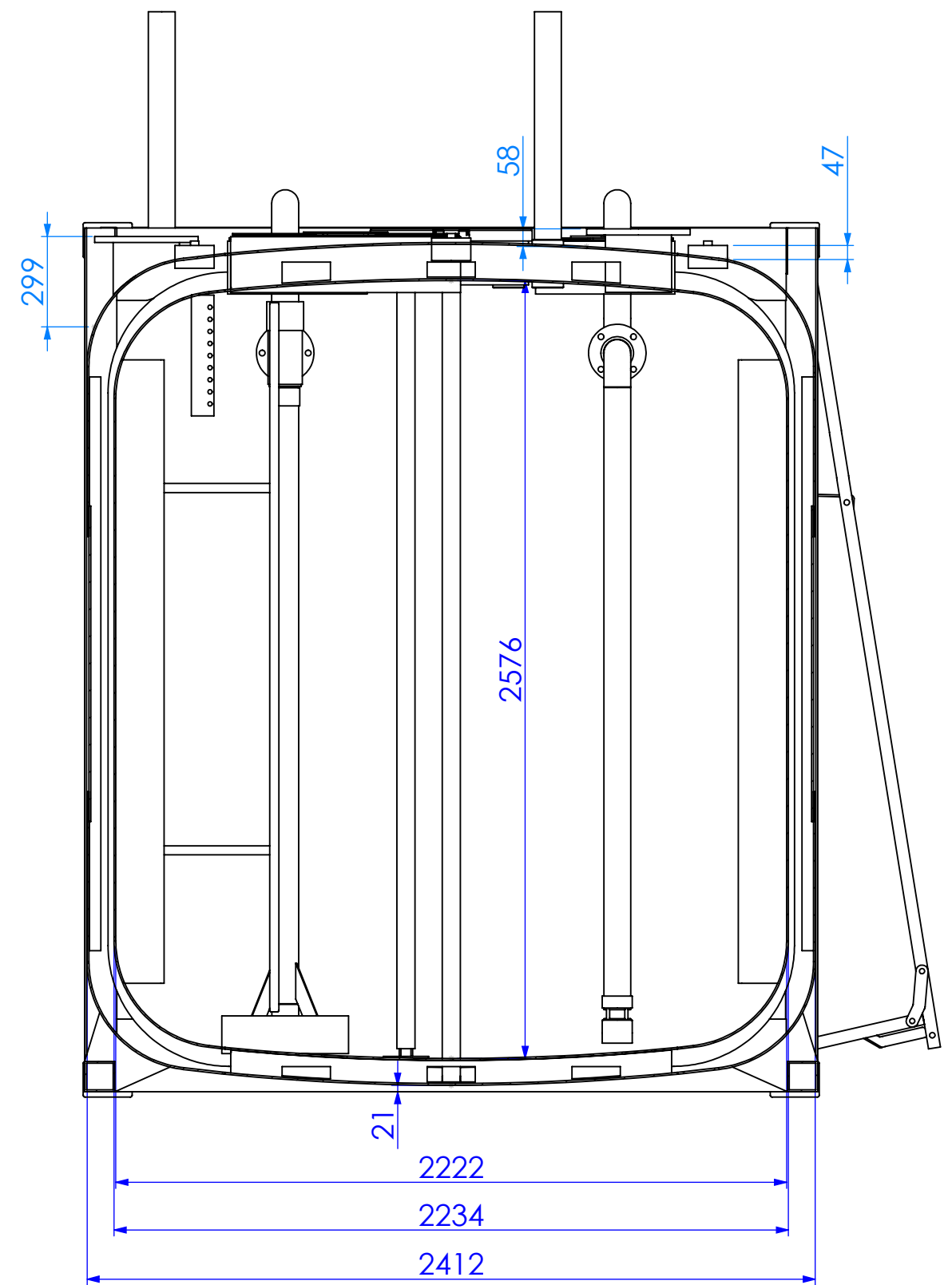
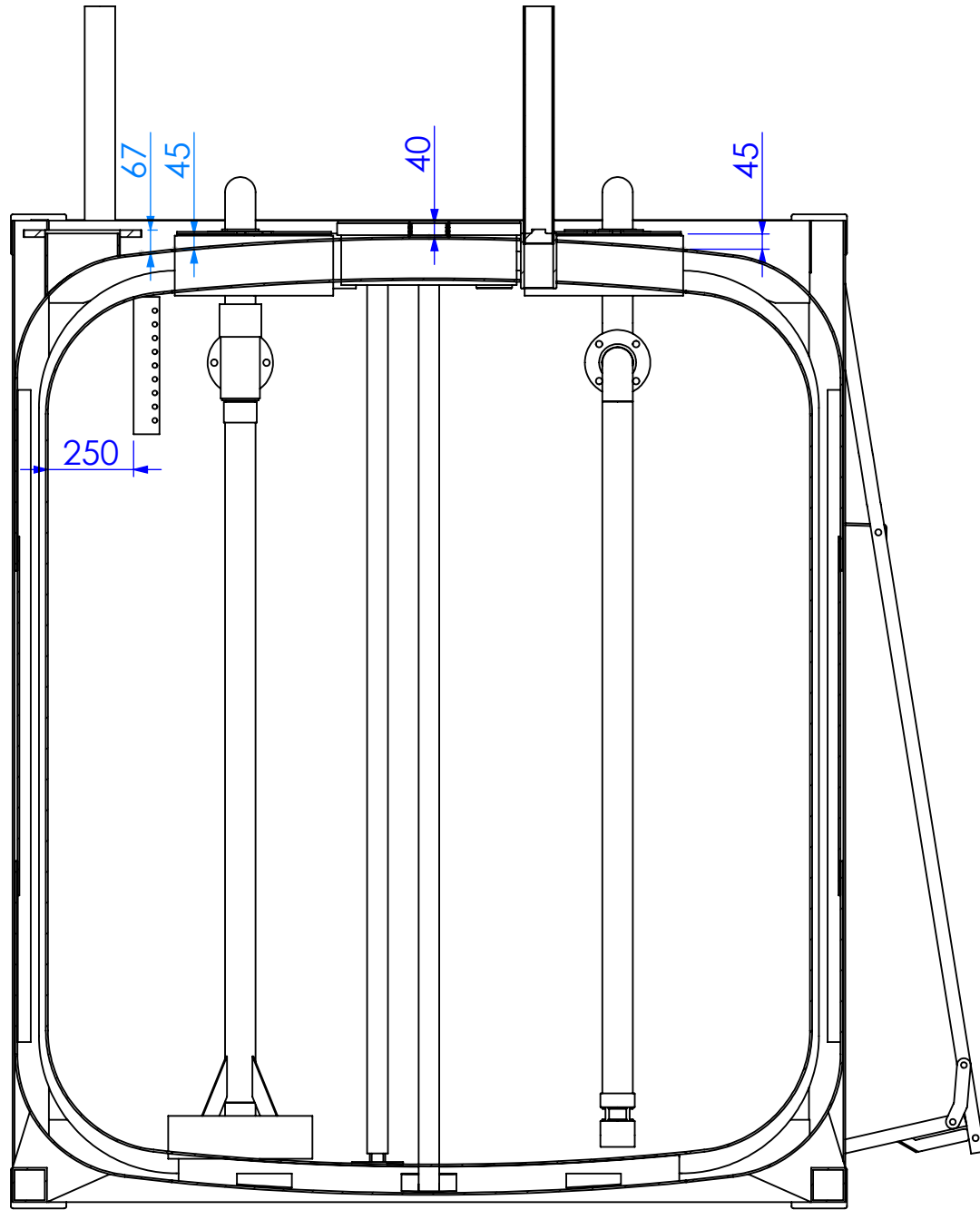


DWG NO. / PART NO.		JOB NO.	
CLIENT: FR-25 UL2085 Fire Rated Tank Self Bunded			
TITLE:			SHEET SIZE A3
SCALE: N.T.S.		SHEET 4 OF 5	
REVISION			

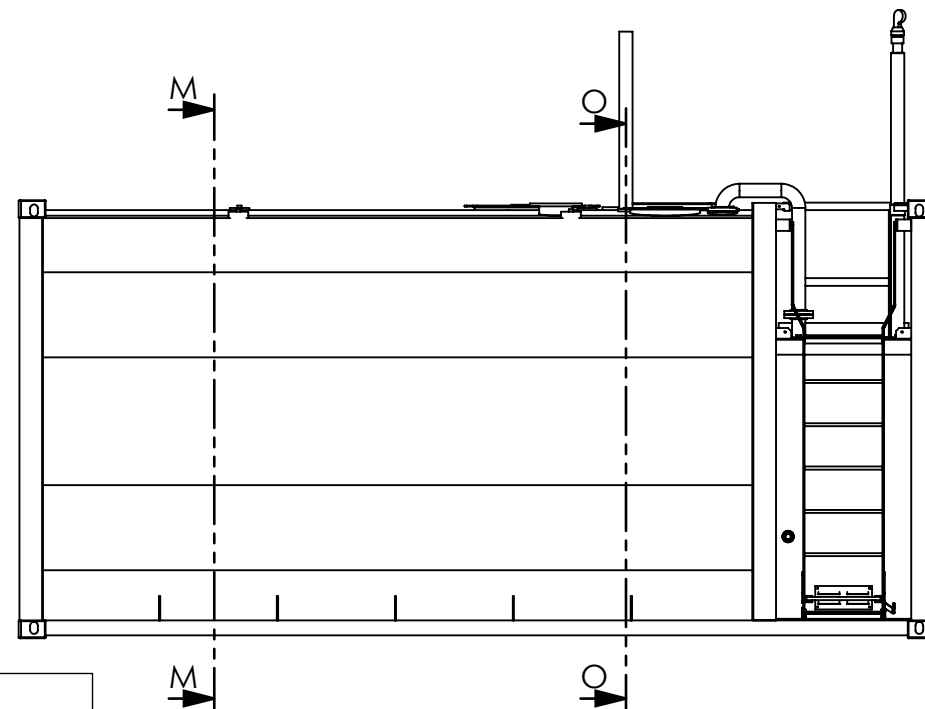
DO NOT SCALE FROM DRAWING. IF IN DOUBT: ASK

UNLESS OTHERWISE SPECIFIED, ALL DIMENSIONS ARE IN MILLIMETRES


BEWARE OF 100mm MEASURING ERROR



剖面 O-O



剖面 M-M

THIRD ANGLE PROJECTION			
DRAWN	NAME	DATE	TOLERANCE U.N.O.
CHK'D		2018/1/9	0 = -1.0 0.0 = -0.4 0.00 = -0.1
APPV'D			MATERIAL:
			WEIGHT: Kg



DWG NO. / PART NO.		JOB NO.	
CLIENT:			
FR-25 UL2085 Fire Rated Tank Self Bunded			
TITLE:			SHEET SIZE
SCALE: N.T.S.			A3
SHEET 5 OF 5			REVISION