
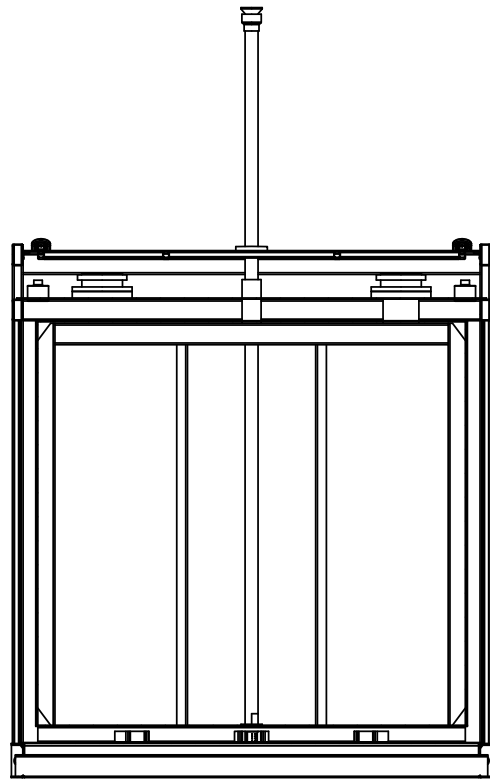
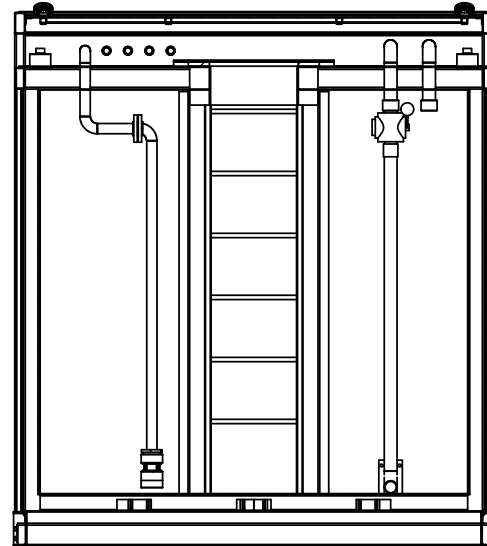


TANK DATA	
TANK CONTENTS:	ULP,DIESEL
DESIGNED TO:	UL2085,UL142,AS1940
DESIGN LIFE:	10 Years
WALL THICKNESS:	5mm/5mm
SURFACE COATING	C4-200micron
GROSS VOLUME:	11,000L
SAFE FILL VOLUME:	10,000L
TEST PRESSURE:	25KPa
TOTAL MASS:	8,672 KG

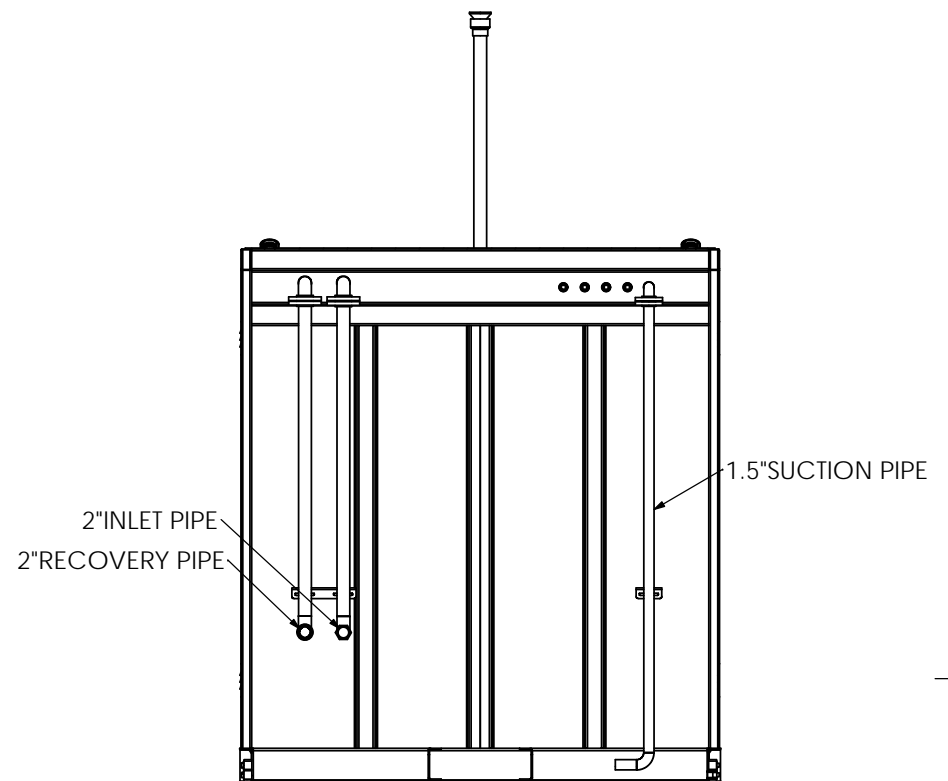
THIRD ANGLE PROJECTION			DWG NO. / PART NO.	JOB NO.							
<table border="1"> <thead> <tr> <th>NAME</th> <th>DATE</th> </tr> </thead> <tbody> <tr> <td> </td> <td> </td> </tr> <tr> <td> </td> <td> </td> </tr> <tr> <td> </td> <td> </td> </tr> </tbody> </table>			NAME	DATE							CLIENT: <b>10,000L Fire Rated Self Bunded Tank</b>
NAME	DATE										
DRAWN		TOLERANCE U.N.O.	TITLE:	REVISION							
CHK'D		0 = +1.0									
APP'VD		0.0 = +0.4									
		0.00 = +0.1									
		MATERIAL:	SCALE: N.T.S.	SHEET 1 OF 3							
		WEIGHT: Kg		01							



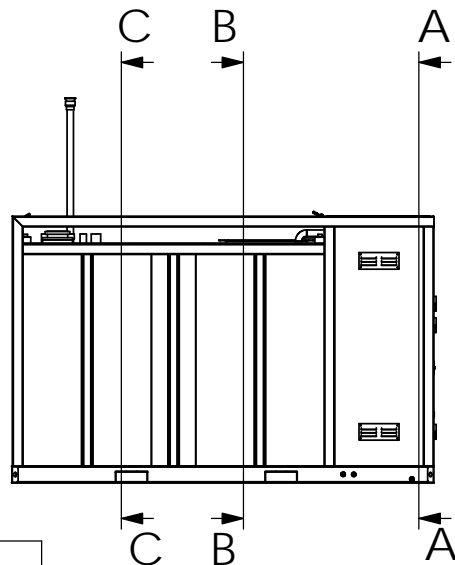
SECTION C-C


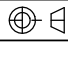


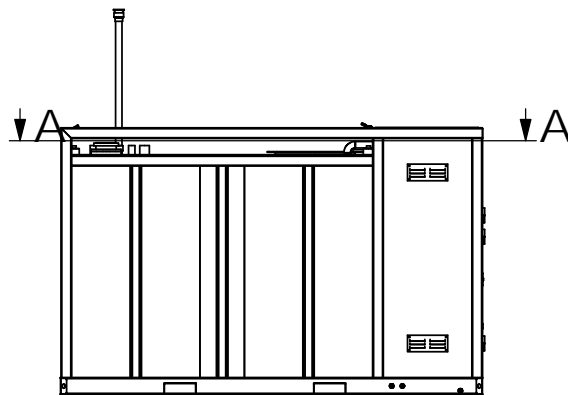
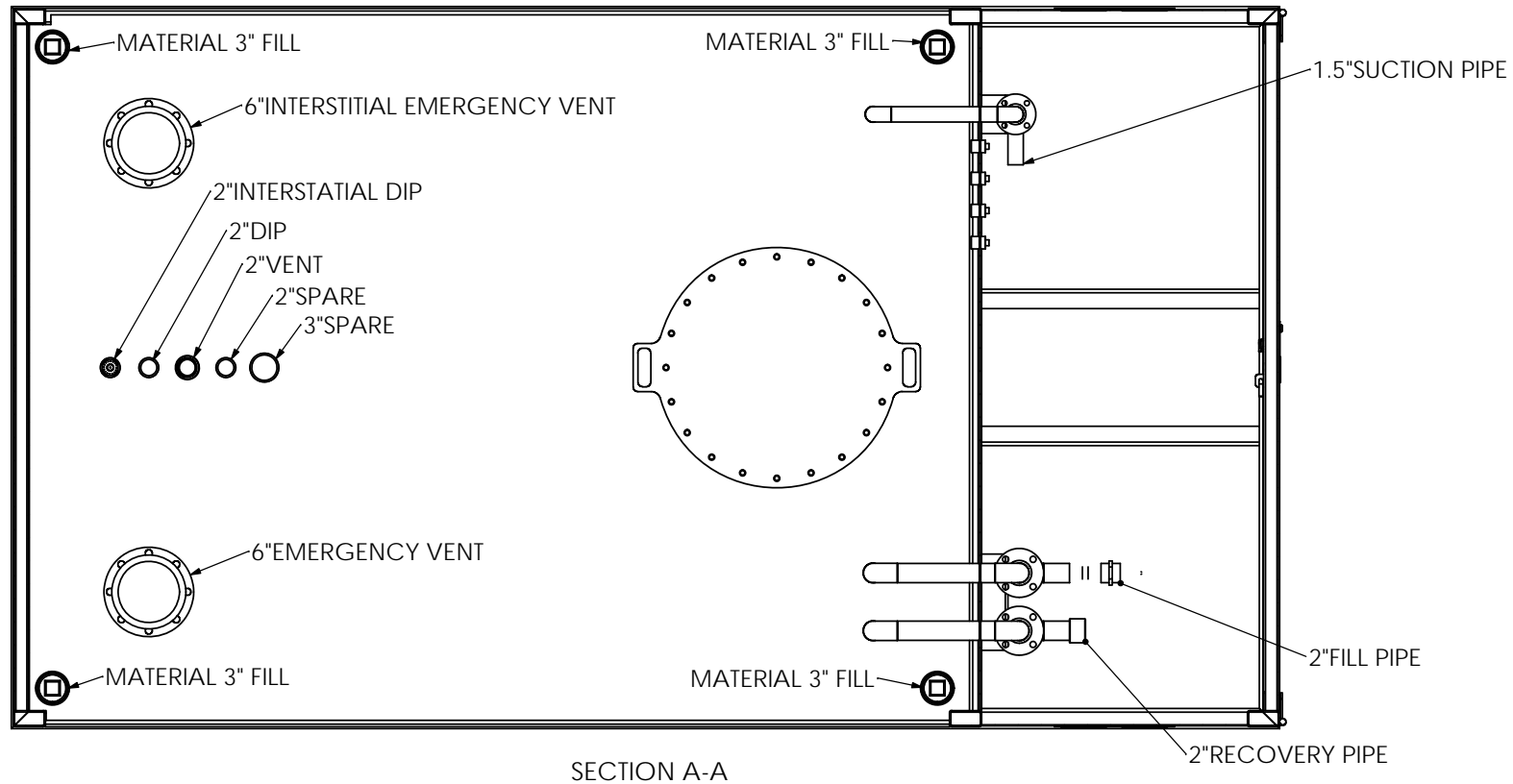
SECTION B-B




SECTION A-A



THIRD ANGLE PROJECTION			DWG NO. / PART NO.	JOB NO.
			CLIENT:	
		10,000L Fire Rated Self Bunded Tank		
		TITLE:		
		SHEET SIZE <b>A3</b>		
NAME	DATE	TOLERANCE U.N.O.	REVISION	
DRAWN		0 = +1.0	01	
CHK'D		0.0 = +0.4	SCALE: N.T.S.	
APP'VD		0.00 = +0.1	SHEET 2 OF 3	
		MATERIAL:	WEIGHT: Kg	



THIRD ANGLE PROJECTION			DWG NO. / PART NO.	JOB NO.				
<table border="1"> <tr> <th>NAME</th> <th>DATE</th> </tr> <tr> <td> </td> <td> </td> </tr> </table>			NAME	DATE			CLIENT:	10,000L Fire Rated Self Bunded Tank
NAME	DATE							
DRAWN		TOLERANCE U.N.O. 0 = +1.0 0.0 = +0.4 0.00 = +0.1	TITLE:	SHEET SIZE				
CHK'D			MATERIAL:	A3				
APP'VD			WEIGHT: Kg	REVISION	01			
SCALE: N.T.S.			SHEET 3 OF 3					