

Tank	
Content	Diesel
External size	12192x2438x2896mm
Internal size	12120x2374x2690mm
Total volume	75,370L
Safe fill volume	71,500L

07					
06					
05					
04					
03					
02					
01					
REV:	DATE:	REVISION:	DRAWN:	CHECKED:	APPROVED:



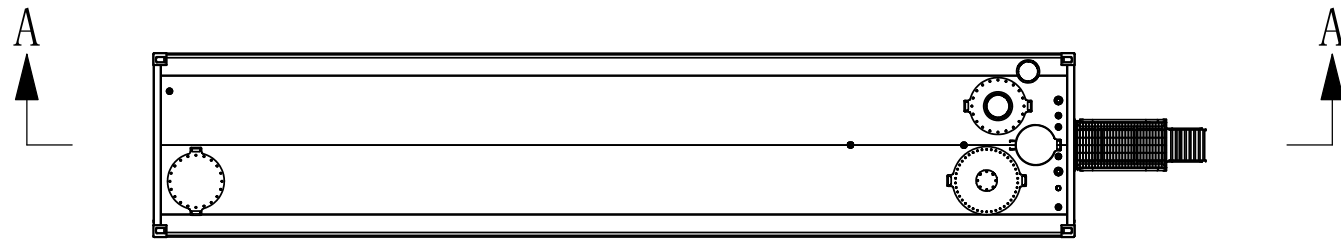
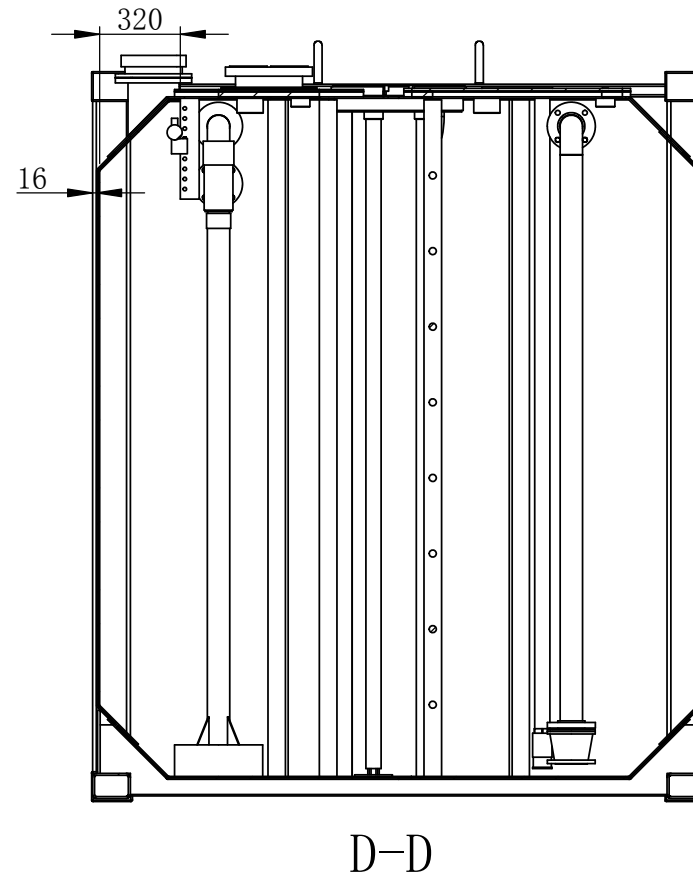
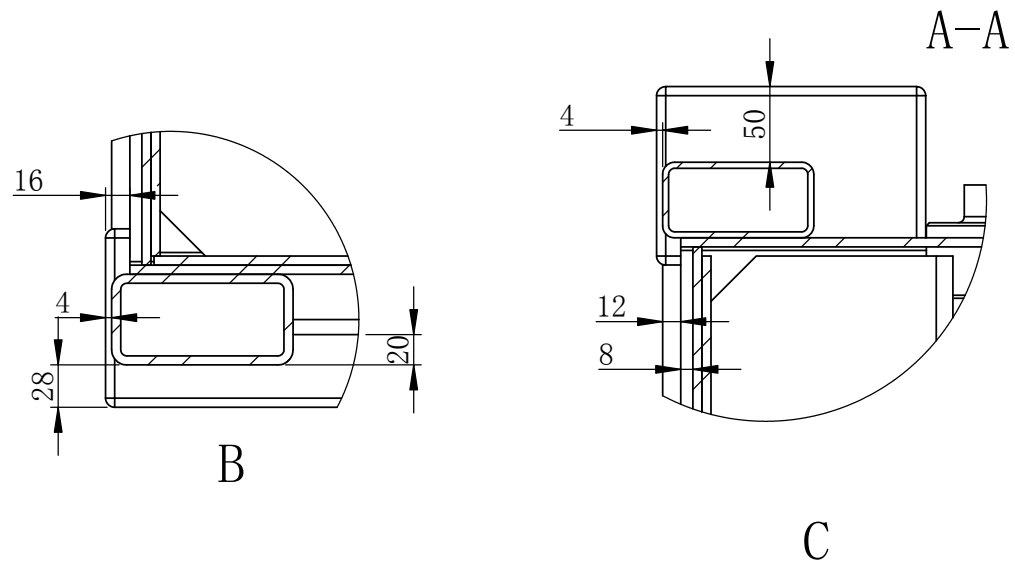
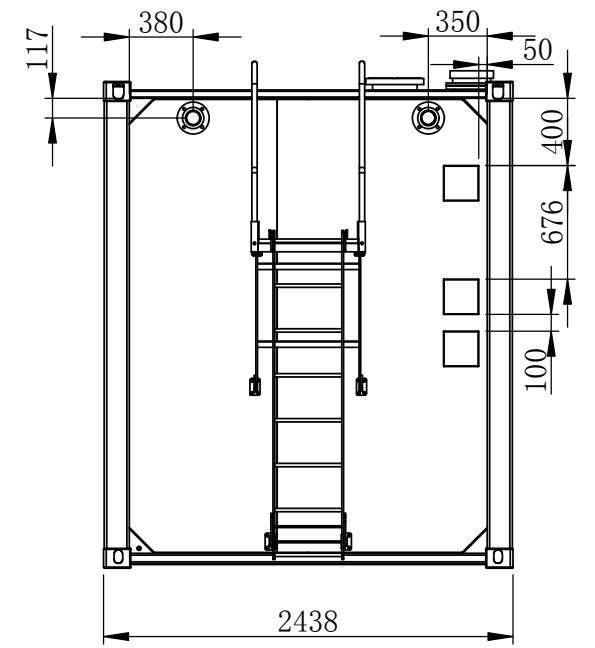
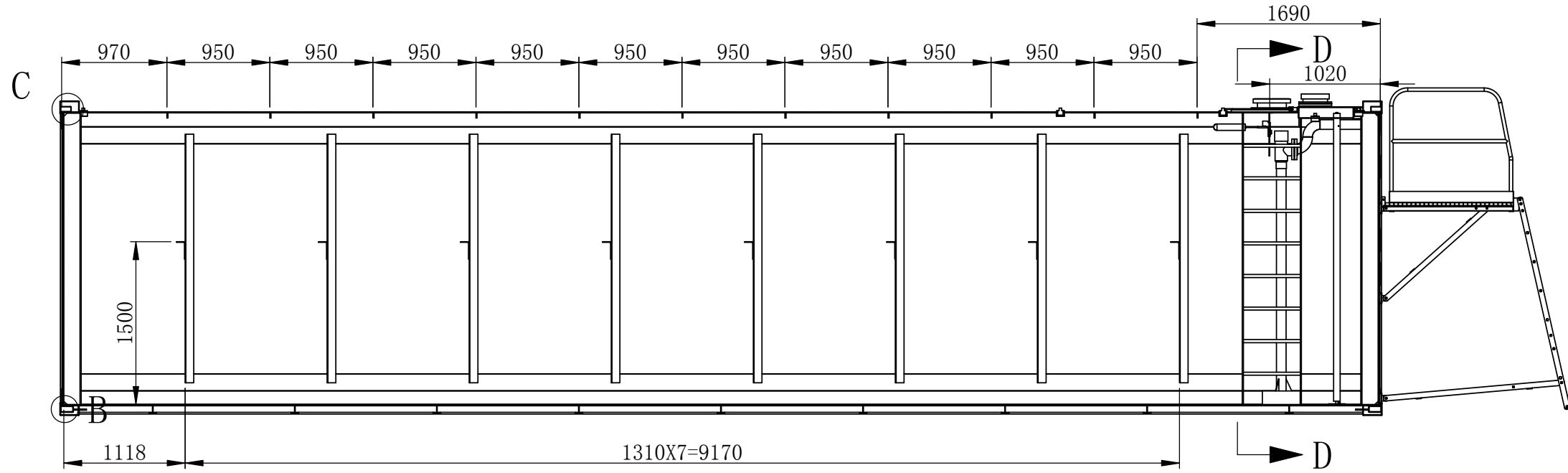
Material:
Weight: 13481.44KG

DRAWN: SAVING DATE: 2019/11/4
CHECKED: DATE:
CLIENT: DATE:
APPROVED: DATE:

TITLE: CON-75 Self Bunded Tank
DRAWING NO. :
PURCHASE ORDER NO. :
REV: A3
SHEET: 1 of 5
Scale: No scale

A3





07					
06					
05					
04					
03					
02					
01					
REV:	DATE:	REVISION:	DRAWN:	CHECKED:	APPROVED:



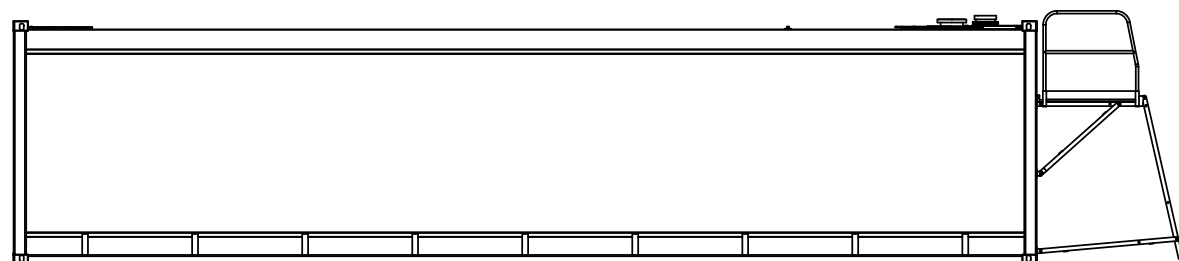
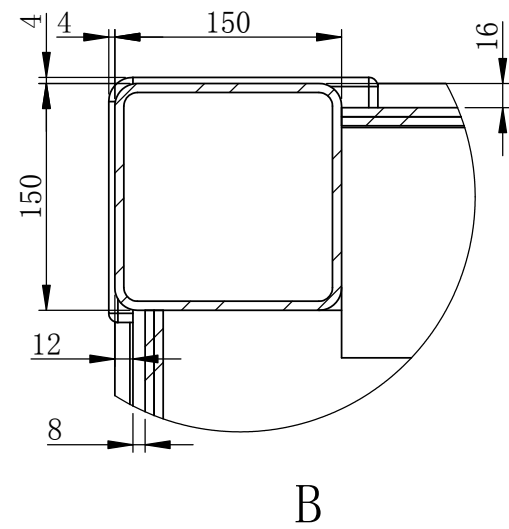
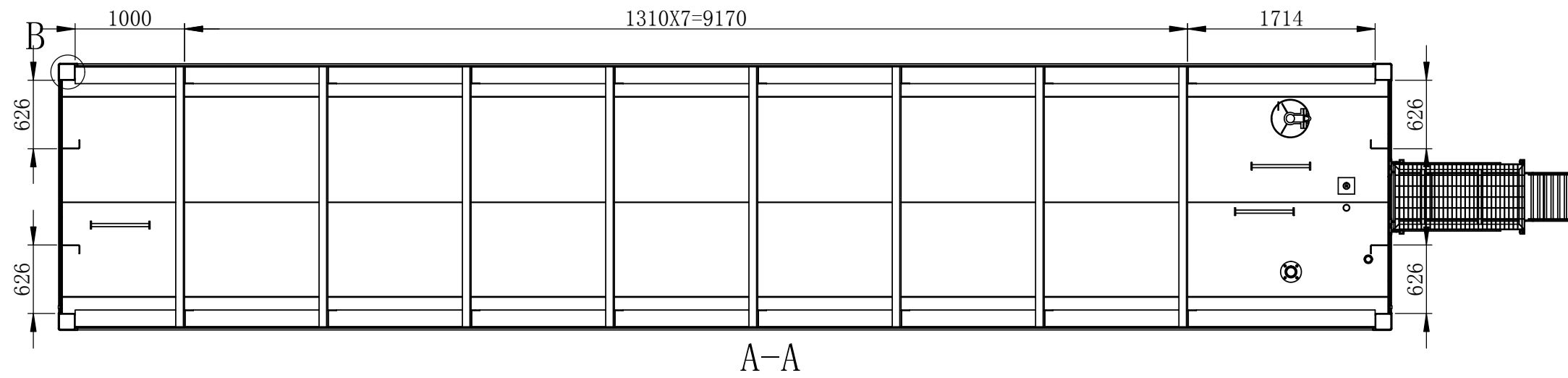
Material:
Weight: 13481.44KG


DRAWN: SAVING DATE: 2019/11/4 星
CHECKED: DATE:
CLIENT: DATE:
APPROVED: DATE:

TITLE: CON-75 Self Bunded Tank
DRAWING NO. :
REV: A3
SHEET: 2 of 5
PURCHASE ORDER NO. :
Scale: No scale

A3





						Project :	
						CON-75 Self Bunded Tank	
						Part Name:	
						40' HC	
						Part NO. :	
NO.	Changes	File	SIGN	DATE			
Design		2019/11/4	Number		Material		
CHK' D			Scale		Weight	13481.44KG	
CHK' D							
APPV' D					Revision	01	
						SHEET 3	TOTAL SHEET 5