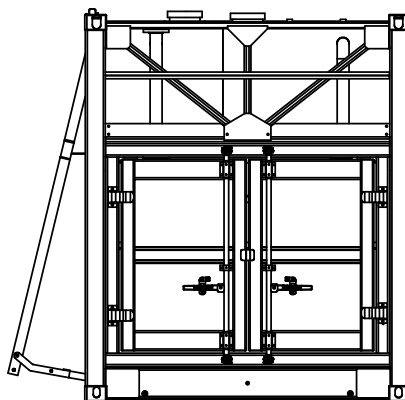
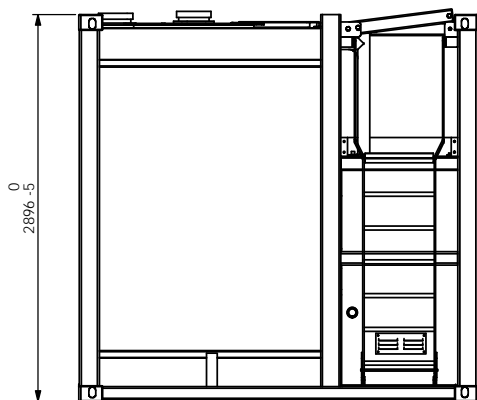
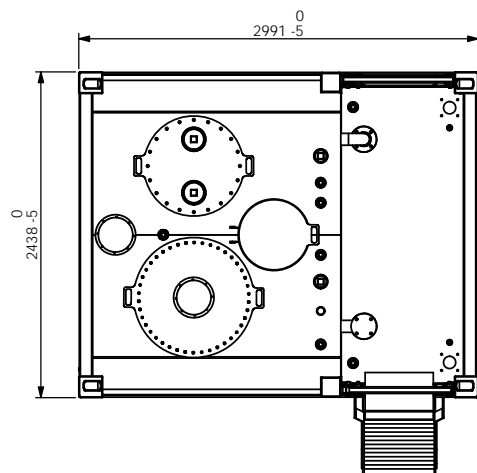


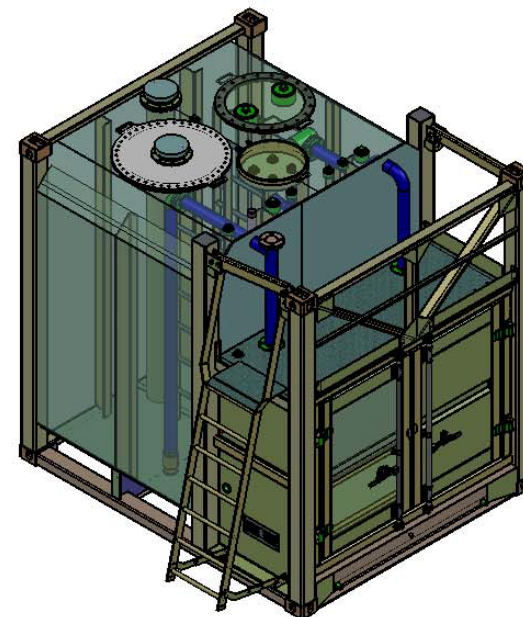
DO NOT SCALE FROM DRAWING. IF IN DOUBT: ASK

UNLESS OTHERWISE SPECIFIED, ALL DIMENSIONS ARE IN MILLIMETRES

BEWARE OF 100mm MEASURING ERROR



TANK DATA	
TANK CONTENTS:	DIESEL
DESIGNED TO:	UL142,ULC S601
BUILT TO:	UL142,ULC S601
PLATE THICKNESS:	6mm
GROSS VOLUME:	11,839L
HYD.TEST PRESSURE:	Gross level+150mm
SAFE FILL LEVEL:	11,240L
N.D.T.	Refer Logitank'fabrication&assembly plan
TOTAL MASS:	4,944KG



THIRD ANGLE PROJECTION			DWG NO. / PART NO. 10'HC	JOB NO. CON-12
			CLIENT:	
			TITLE:	SHEET SIZE A3
NAME	DATE	TOLERANCE U/N/O	REVISION	
DRAWN	2016/8/29	0 = -1.0		
CHK'D		0.0 = -0.4		
APP'VD		0.00 = -0.1		
		MATERIAL:		
		WEIGHT: 4943.94 Kg	SCALE: N.T.S.	SHEET 1 OF 1