

Spare parts

Search by product name

For example: delphin

Product code

Foo75510D

Filter results Item in production Item discontinued

SEARCH AND UPDATE

Document code

Description

Status



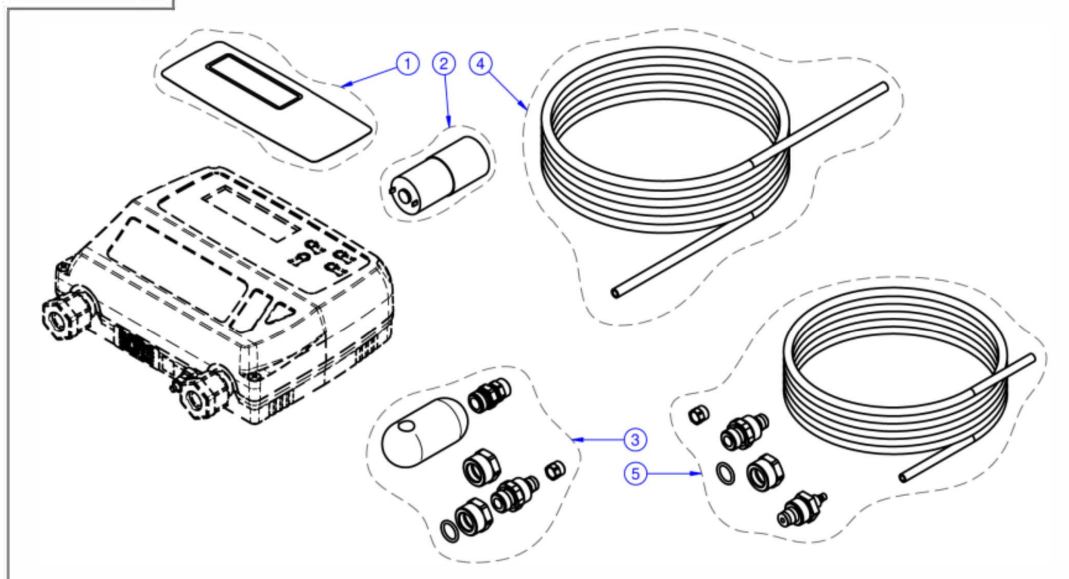
Foo75510D

LEVEL IND. OCIO LV230V 50/60HZ RS OUT-NW.*

Item in Production



PIUSI

DESCRIPTION
LEVEL IND. OCIOCODE
LR_G00001LAST RELEASE
JULY 2019

Some components may vary in shape and color or not be present. Always follow codes and quantity shown in list. ○ fixed components □ variable components - - - only reference

piusi.com

The information contained in this drawing is property of PIUSI and any reproduction in part or as a whole without the written permission of PIUSI S.p.A. is prohibited.

Spare part

R11651000	1	LABEL 57x140 OCIO*
R11925000	2	KIT COMPRESSOR W/CABLE*
F1338600A	3	KIT UNIVERSAL PROBE (OIL/DIESEL)*
F1391300A	4	KIT 50 MT OCIO PIPE*
F12939000	5	KIT OIL TUBE - OCIO*

PIUSI

