

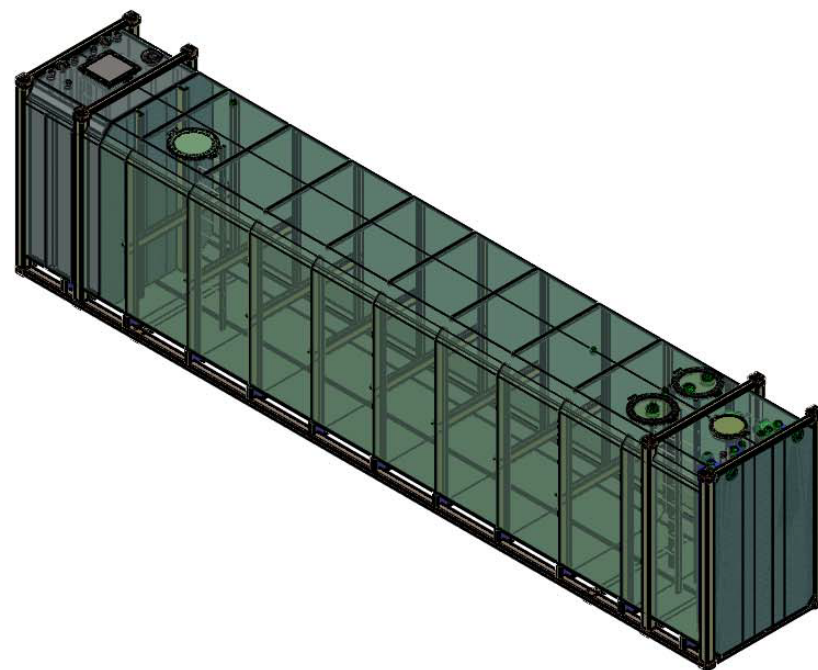
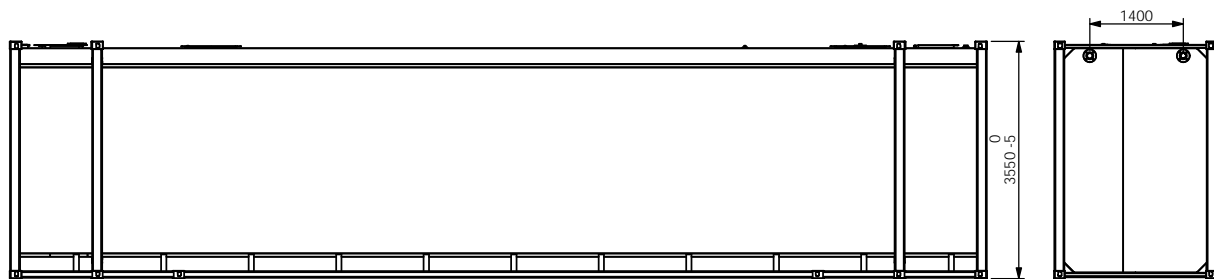
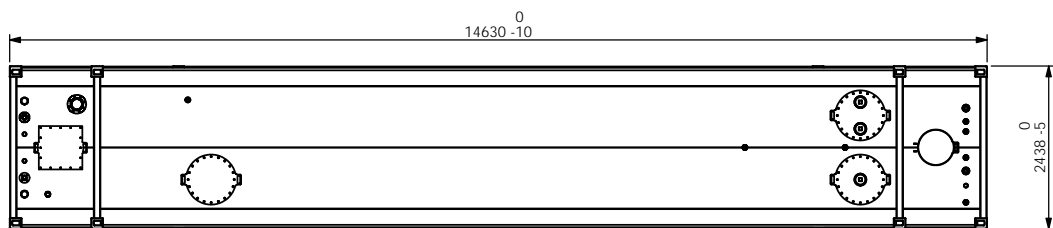
DO NOT SCALE FROM DRAWING. IF IN DOUBT: ASK

UNLESS OTHERWISE SPECIFIED, ALL DIMENSIONS ARE IN MILLIMETRES

BEWARE OF 100mm MEASURING ERROR

TANK DATA

TANK CONTENTS:	DIESEL/AdBlue
DESIGNED TO:	AS1940
BUILT TO:	AS1692,CAT.3
CORROSION ALLOW:	0mm
GROSS VOLUME:	100,062L/10,525L
HYD.TEST PRESSURE:	Gross level+150mm
SAFE FILL LEVEL:	95,059L/10,000L
N.D.T	
TOTAL MASS:	18,893KG



THIRD ANGLE PROJECTION	
○	
NAME	DATE
DRAWN	2016/6/23
CHK'D	
APP'VD	



TOLERANCE U.N.O.
0 = -1.0
0.0 = -0.4
0.00 = -0.1

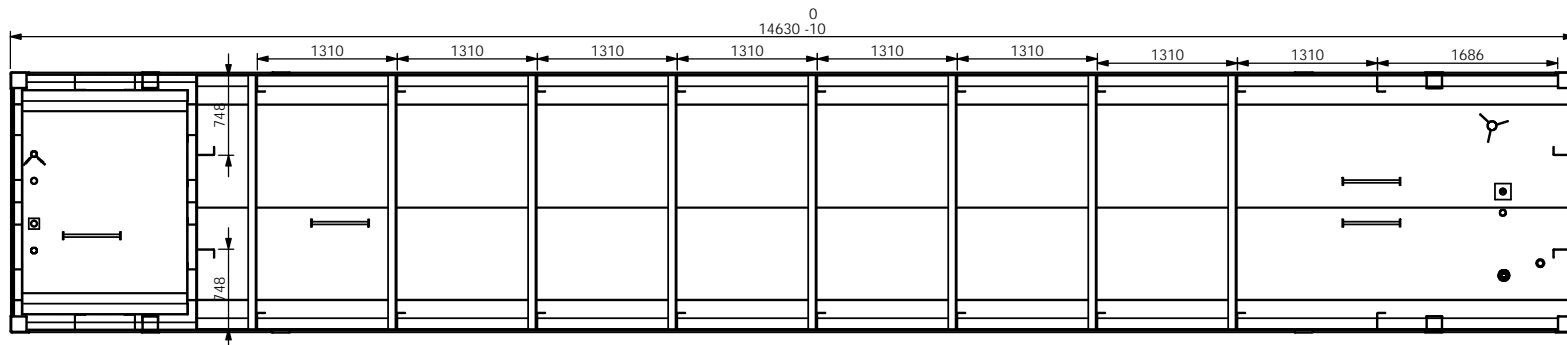
MATERIAL:  
WEIGHT: 19223.34 Kg

DWG NO. / PART NO.	JOB NO.
CLIENT: <b>110,000L GO CON-AB SELF BUNDED TANK</b>	
TITLE:	SHEET SIZE <b>A3</b>
SCALE: N.T.S.	REVISION <b>01</b>
SHEET 1 OF 2	

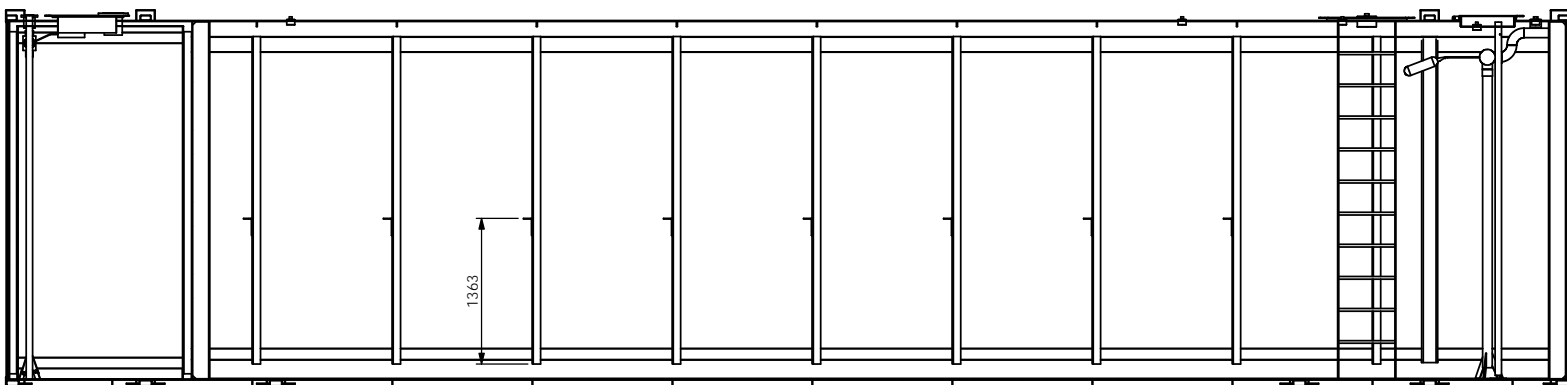
DO NOT SCALE FROM DRAWING. IF IN DOUBT: ASK

UNLESS OTHERWISE SPECIFIED, ALL DIMENSIONS ARE IN MILLIMETRES

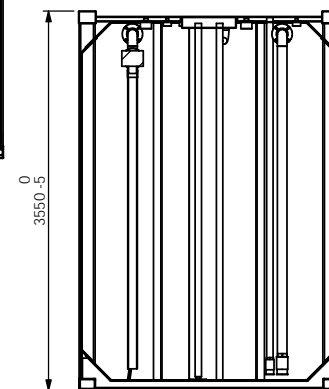
BEWARE OF 100mm MEASURING ERROR



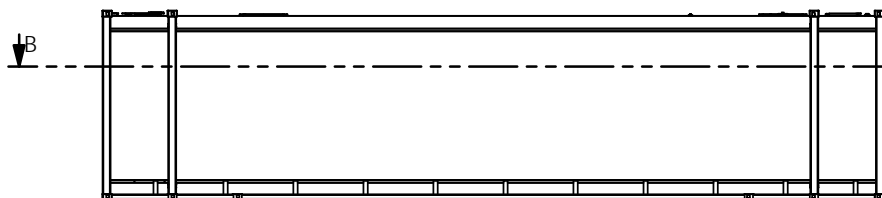
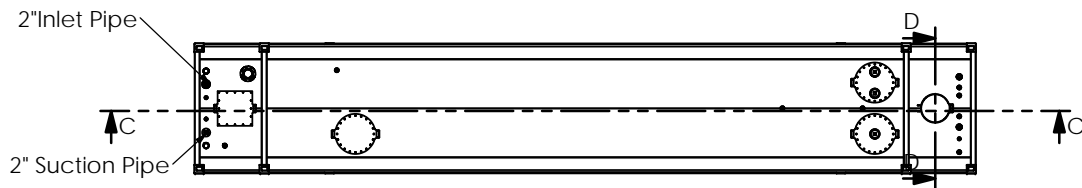
剖面 B-B



剖面 C-C



剖面 D-D



FIRST ANGLE PROJECTION	
NAME	DATE
DRAWN	2016/6/23
CHKD	
APPVD	



TOLERANCE U.N.O.  
 0 = -1.0  
 0.0 = -0.4  
 0.00 = -0.1

WEIGHT: 19223.34 Kg

DWG NO. / PART NO.	JOB NO.
CLIENT: 110,000L GO CON-AB SELF BUNDED TANK	
TITLE:	
SCALE: N.T.S.	SHEET 2 OF 2

SHEET SIZE  
**A3**  
 REVISION  
 01