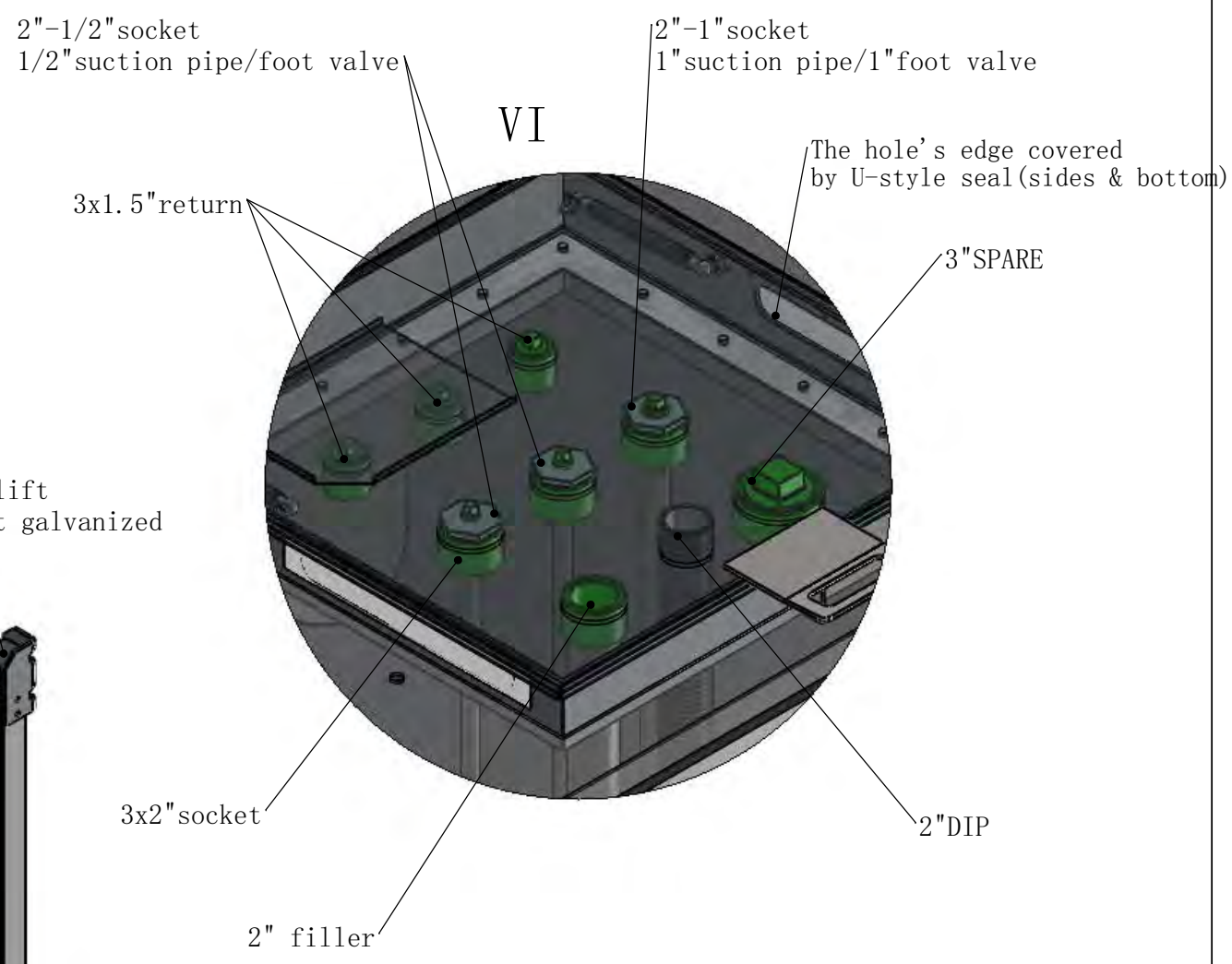
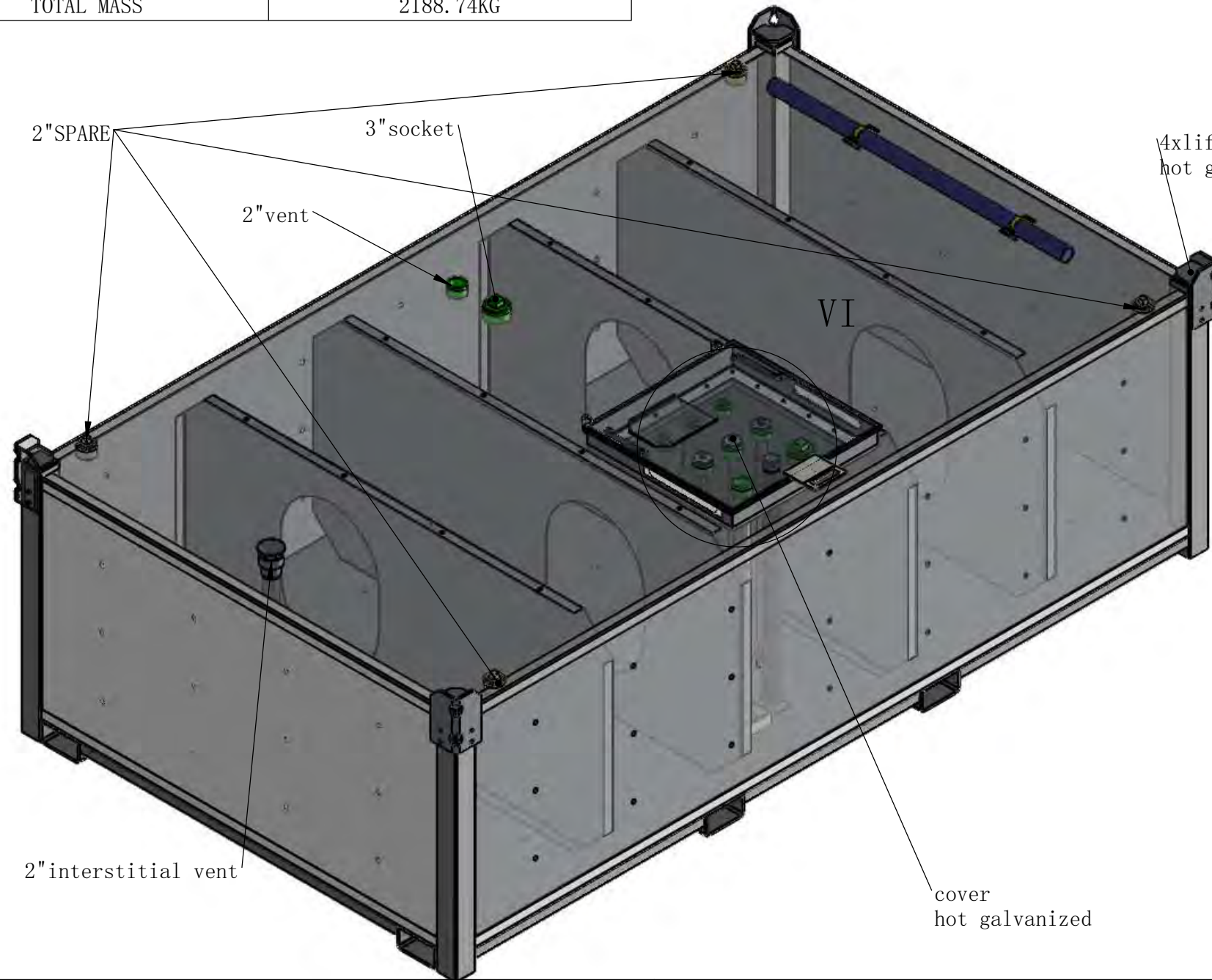


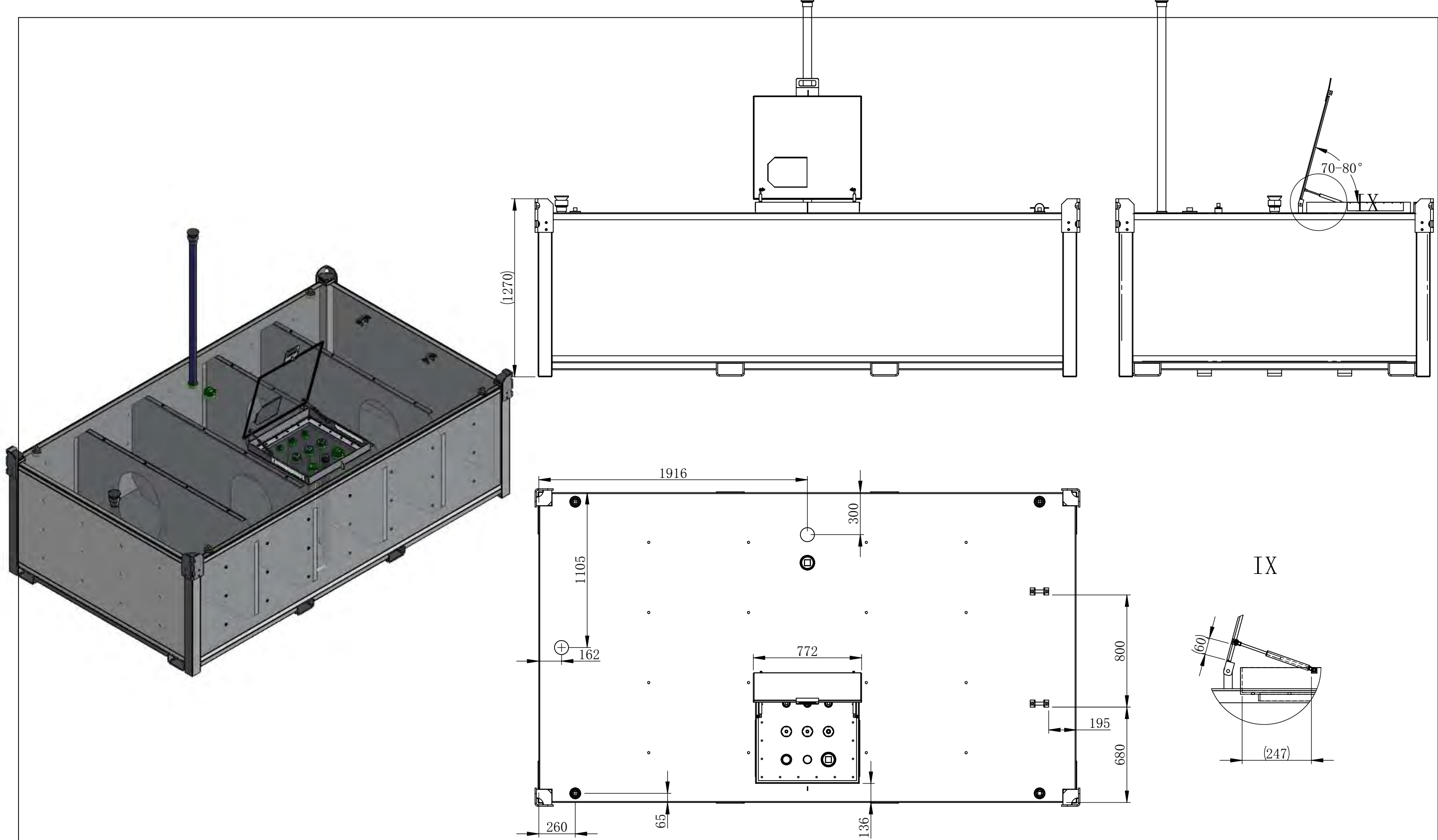
Tank	
TANK CONTENTS	
DESIGNED TO	AS1940 / AS1692
BUILT TO	AS1657 / AS1554.1
PLATE THICKNESS, Material	4/4 mm, Q235B
Pressue Test	35KPA
External size	3916x2294x1270mm
Internal size	3808x2186x1058mm
GROSS VOLUME	8800L
SAFE FILL LEVEL	8000L
N. D. T.	Require By Client
TOTAL MASS	2188.74KG



07					
06					
05					
04					
03					
02					
01					
REV:	DATE:	REVISION:	DRAWN:	CHECKED:	APPROVED:



DRAWN:	DATE: 2020-07-02	TITLE: BOX 8800L Self Bunded Tank	
CHECKED:	DATE:	DRAWING NO. :	REV: 01
CLIENT:	DATE:		SHEET: 1 of 4
APPROVED:	DATE:	PURCHASE ORDER NO. :	Scale: No scale
Material:			A3
Weight:	2188.74KG		



07					
06					
05					
04					
03					
02					
01					
REV:	DATE:	REVISION:	DRAWN:	CHECKED:	APPROVED:



Material:  
Weight: 2188.74KG

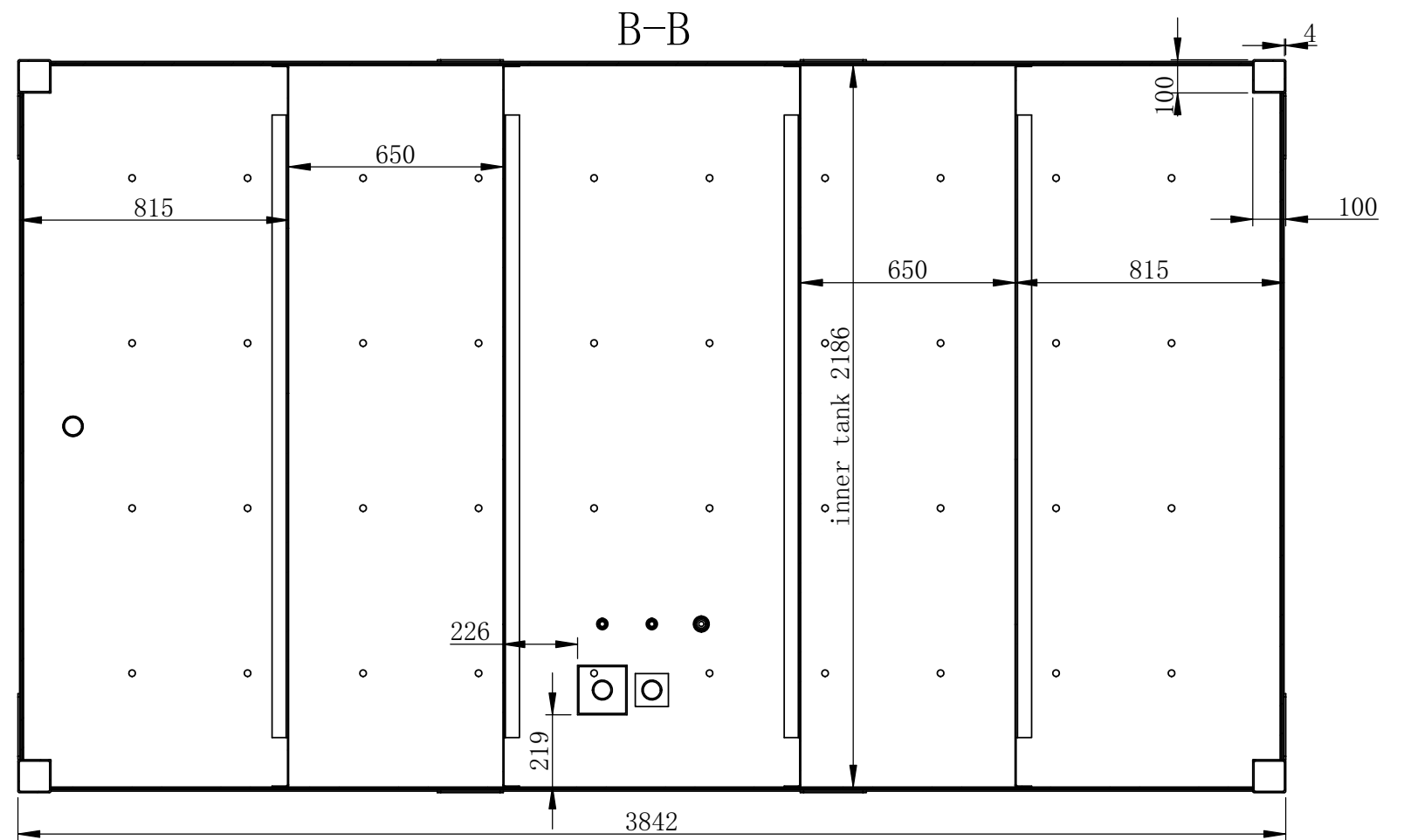
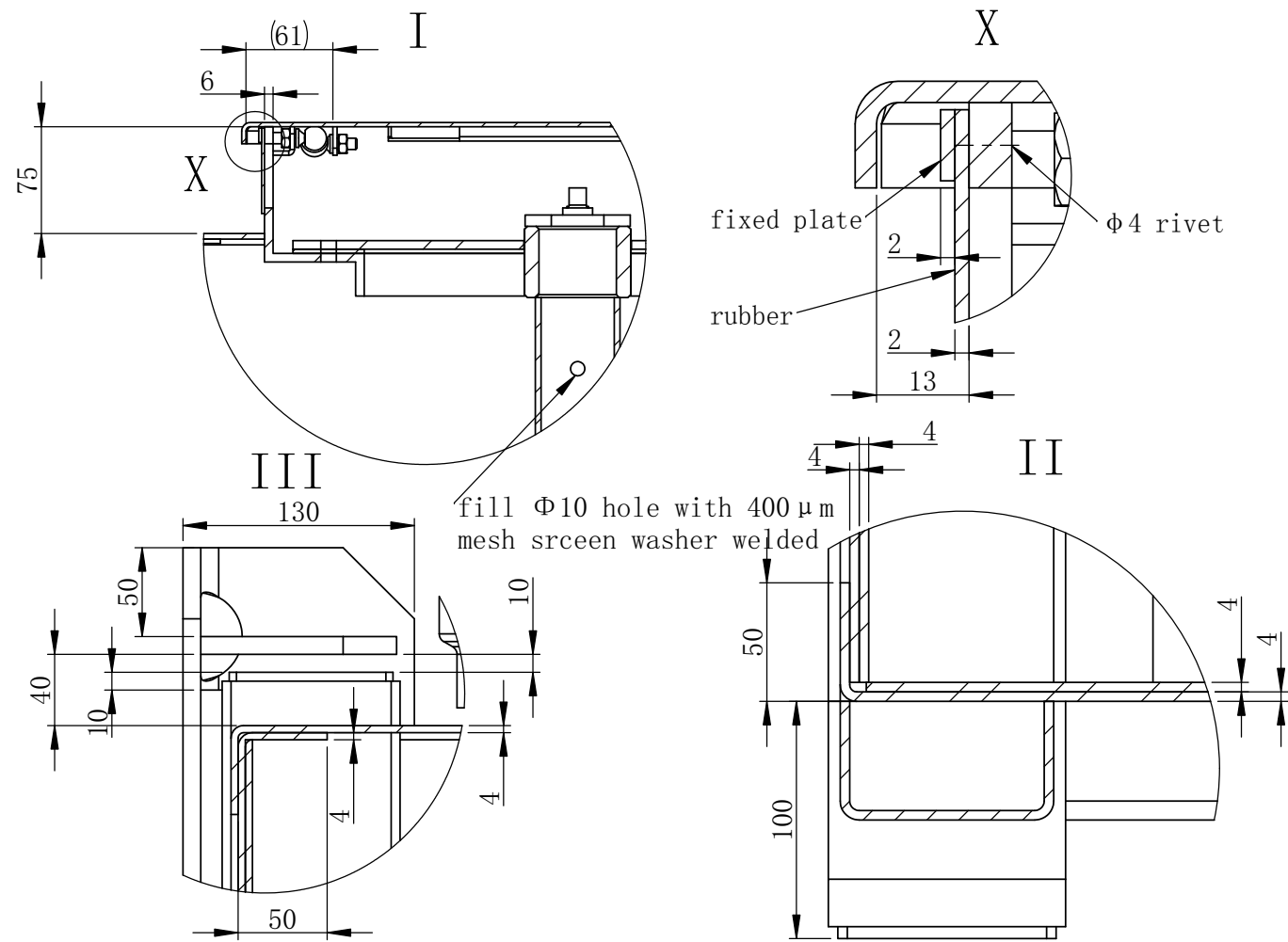
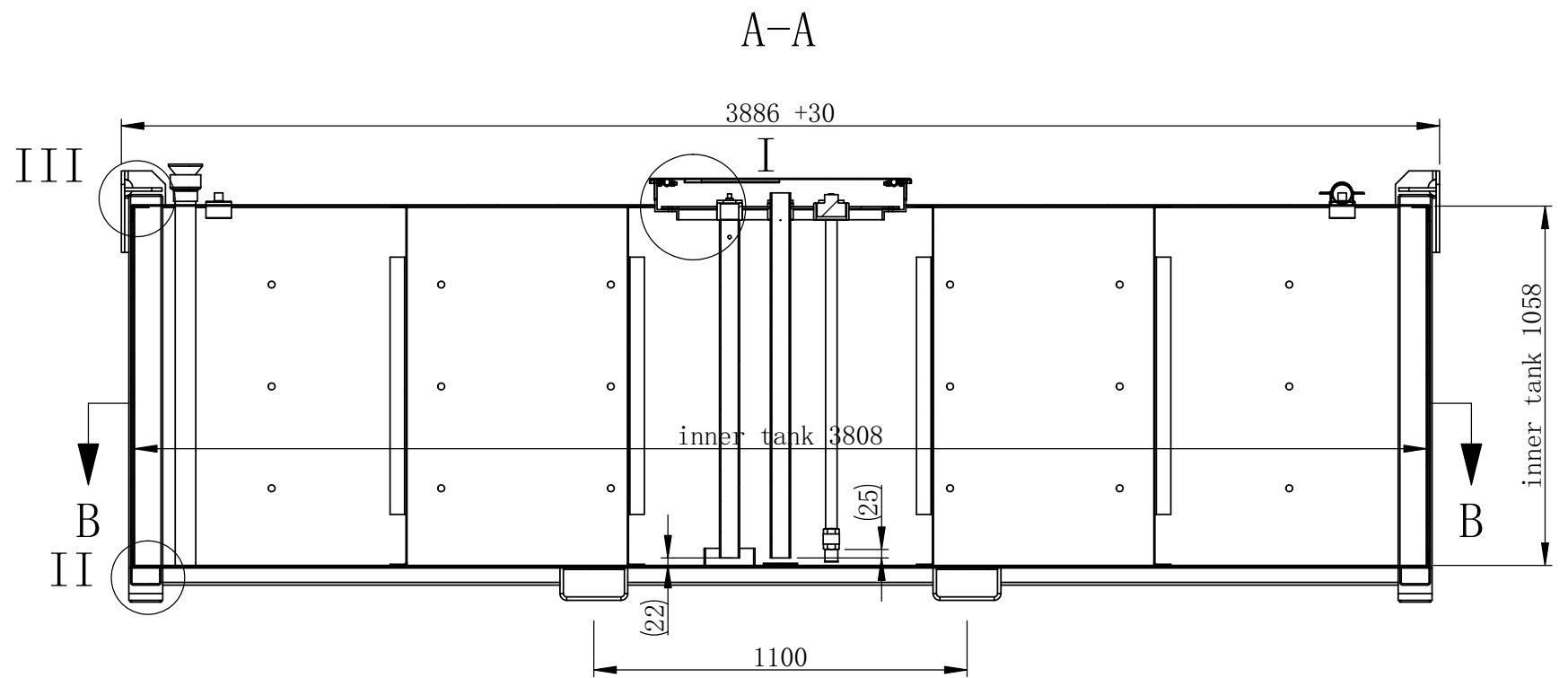
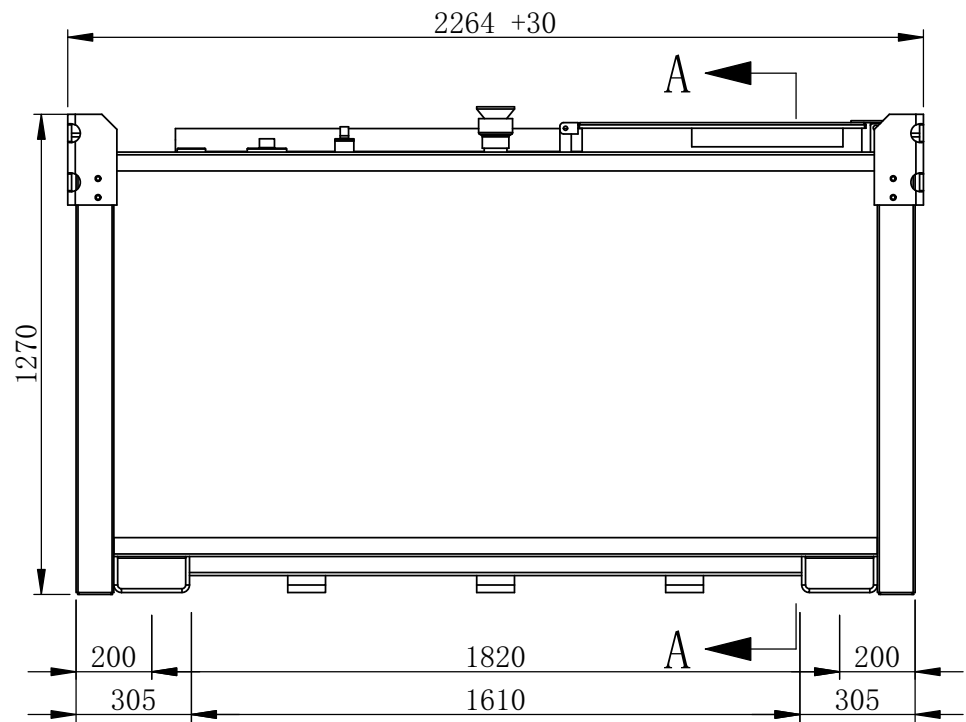
DRAWN:  
DATE: 2020-07-02  
CHECKED:  
DATE:  
CLIENT:  
DATE:  
APPROVED:  
DATE:

TITLE:  
BOX 8800L Self Bunded Tank  
DRAWING NO. :  
PURCHASE ORDER NO. :

REV: 01  
SHEET: 2 of 4  
Scale: No scale

A3

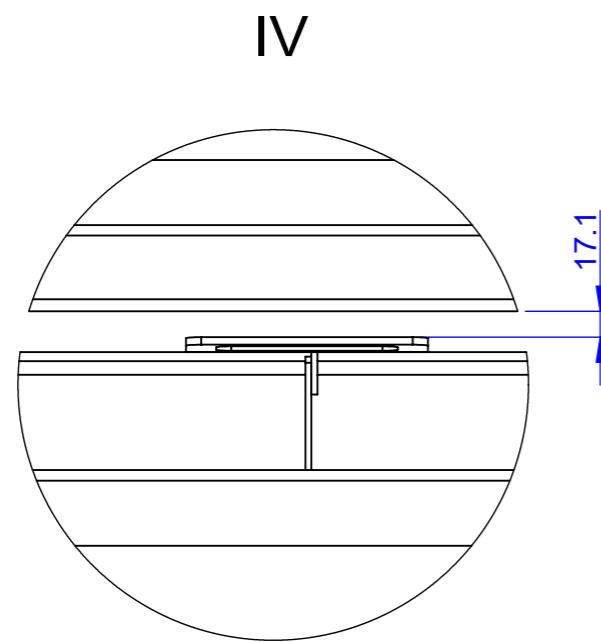
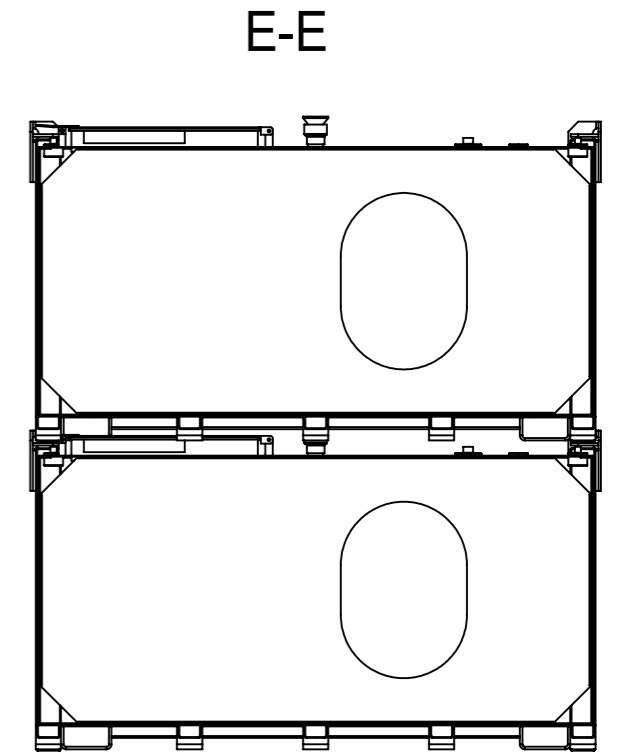
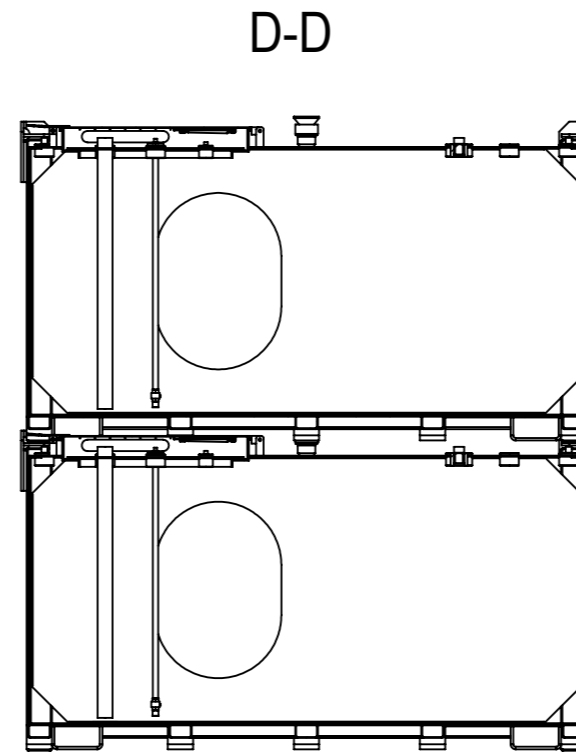
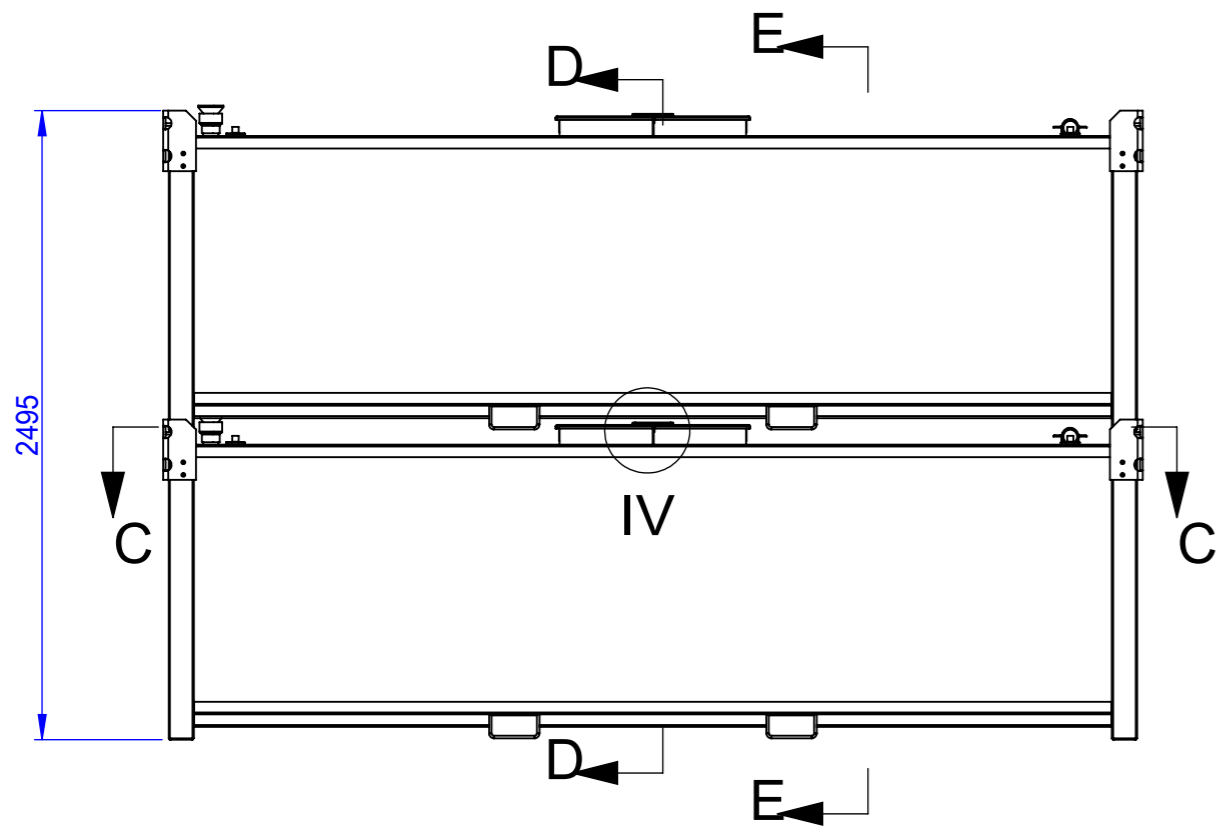




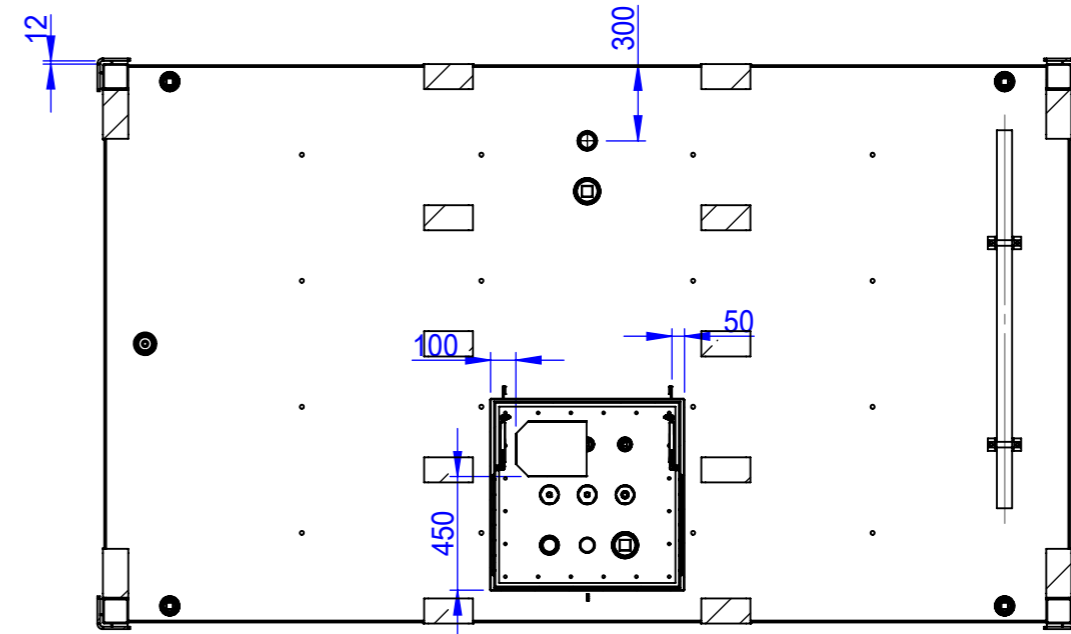
07					
06					
05					
04					
03					
02					
01					
REV:	DATE:	REVISION:	DRAWN:	CHECKED:	APPROVED:



Material:	DRAWN:	DATE:	TITLE: BOX 8800L Self Bunded Tank		
	2020-07-02				
	Weight: 2188.74KG	CHECKED:	DATE:	DRAWING NO. :	REV: 01
	CLIENT:	DATE:		SHEET: 3 of 4	A3
	APPROVED:	DATE:	PURCHASE ORDER NO. :	Scale: No scale	



C-C



07					
06					
05					
04					
03					
02					
01					
REV:	DATE:	REVISION:	DRAWN:	CHECKED:	APPROVED:



DRAWN:	DATE:	TITLE: BOX 8800L Self Bunded Tank	
	2020/5/15		
CHECKED:	DATE:	DRAWING NO. :	REV:
CLIENT:	DATE:		01
APPROVED:	DATE:	PURCHASE ORDER NO. :	SHEET:
Material:			4 of 4
Weight:	4373.92KG		Scale:
			No scale

A3

