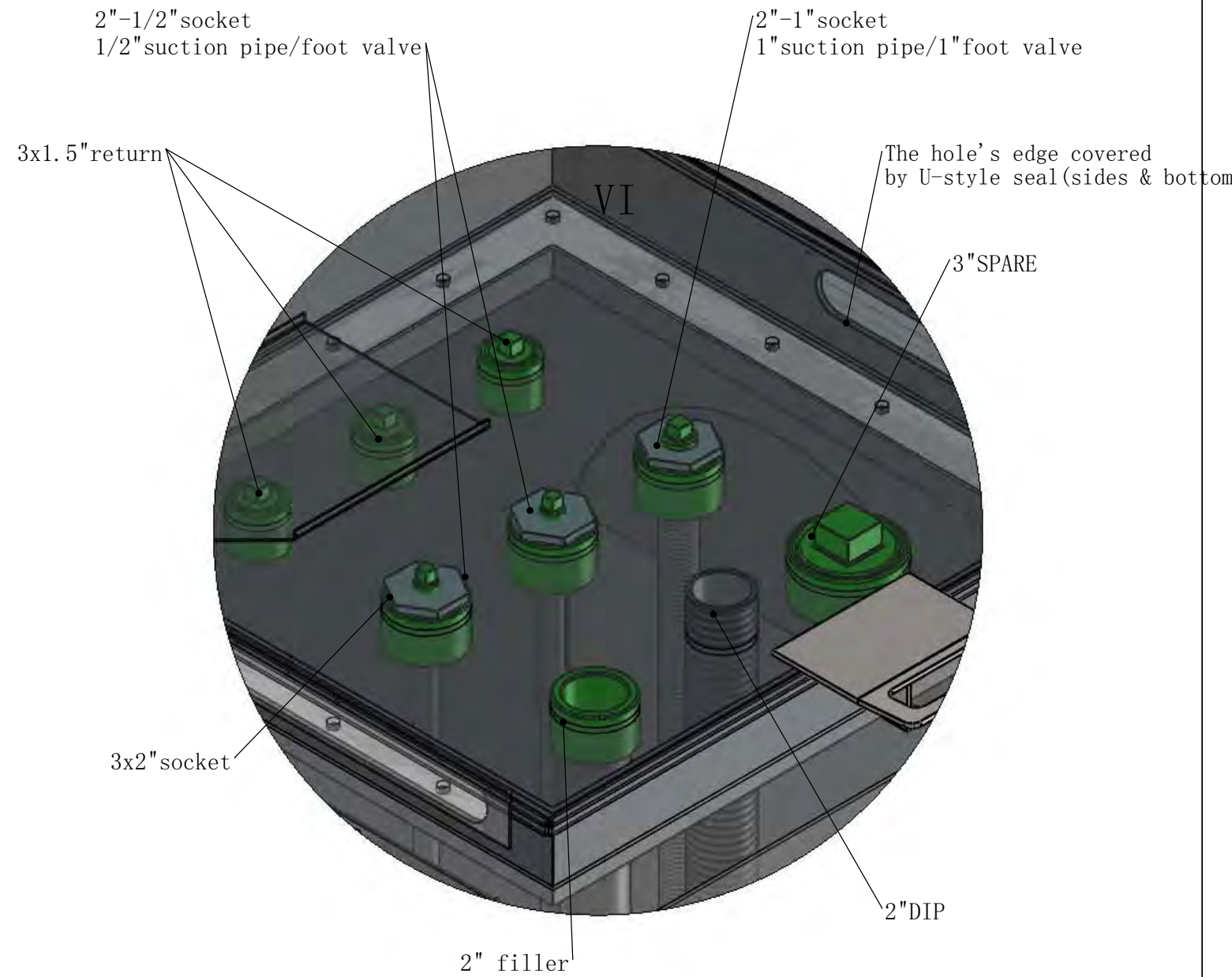
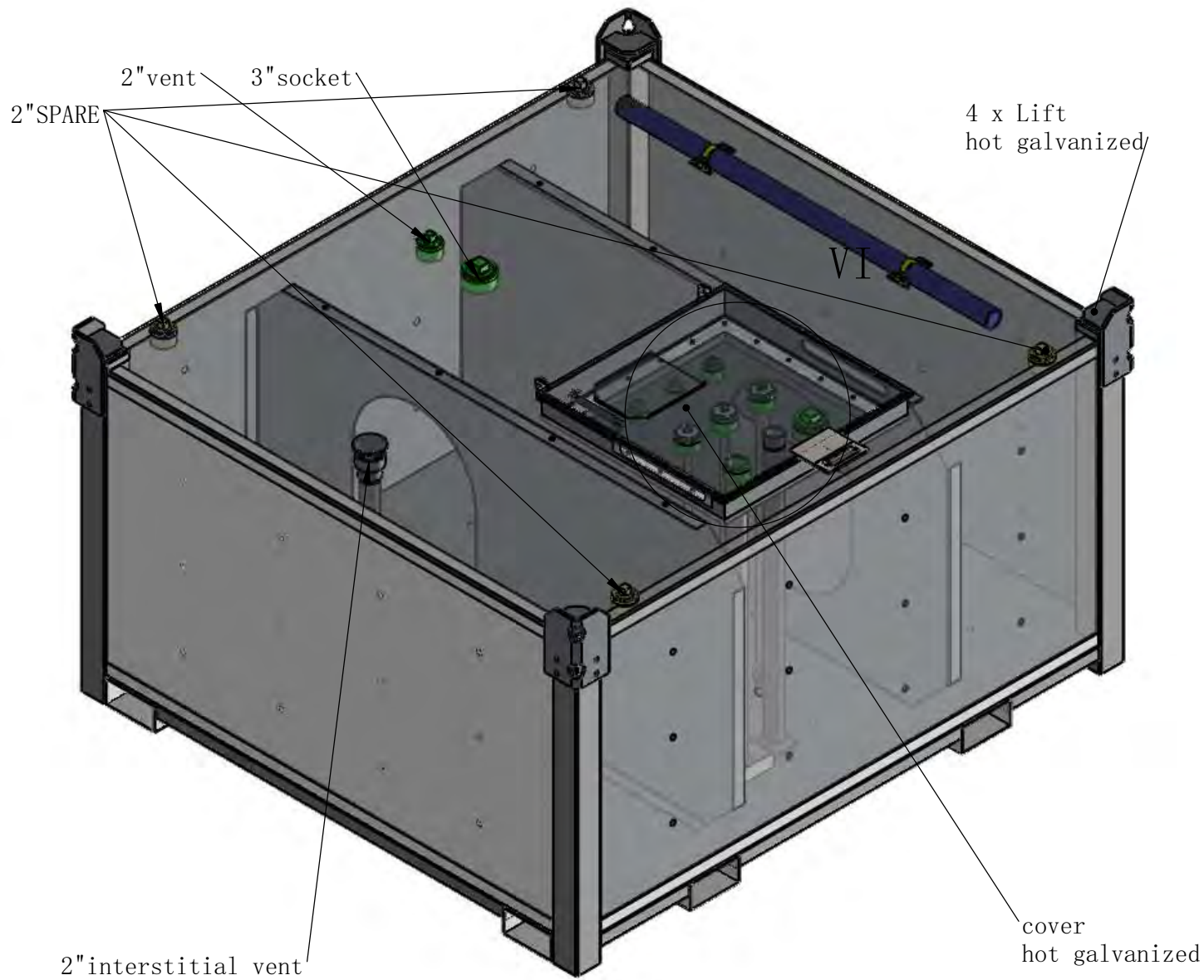


Tank	
TANK CONTENTS	
DESIGNED TO	AS1940 / AS1692
BUILT TO	AS1657 / AS1554.1
PLATE THICKNESS, Material	4/4 mm, Q235B
Pressue Test	35KPA
External size	2294x2084x1270mm
Internal size	2186x1976x1058mm
GROSS VOLUME	4500L
SAFE FILL LEVEL	4000L
N. D. T.	Require By Client
TOTAL MASS	1331.01KG



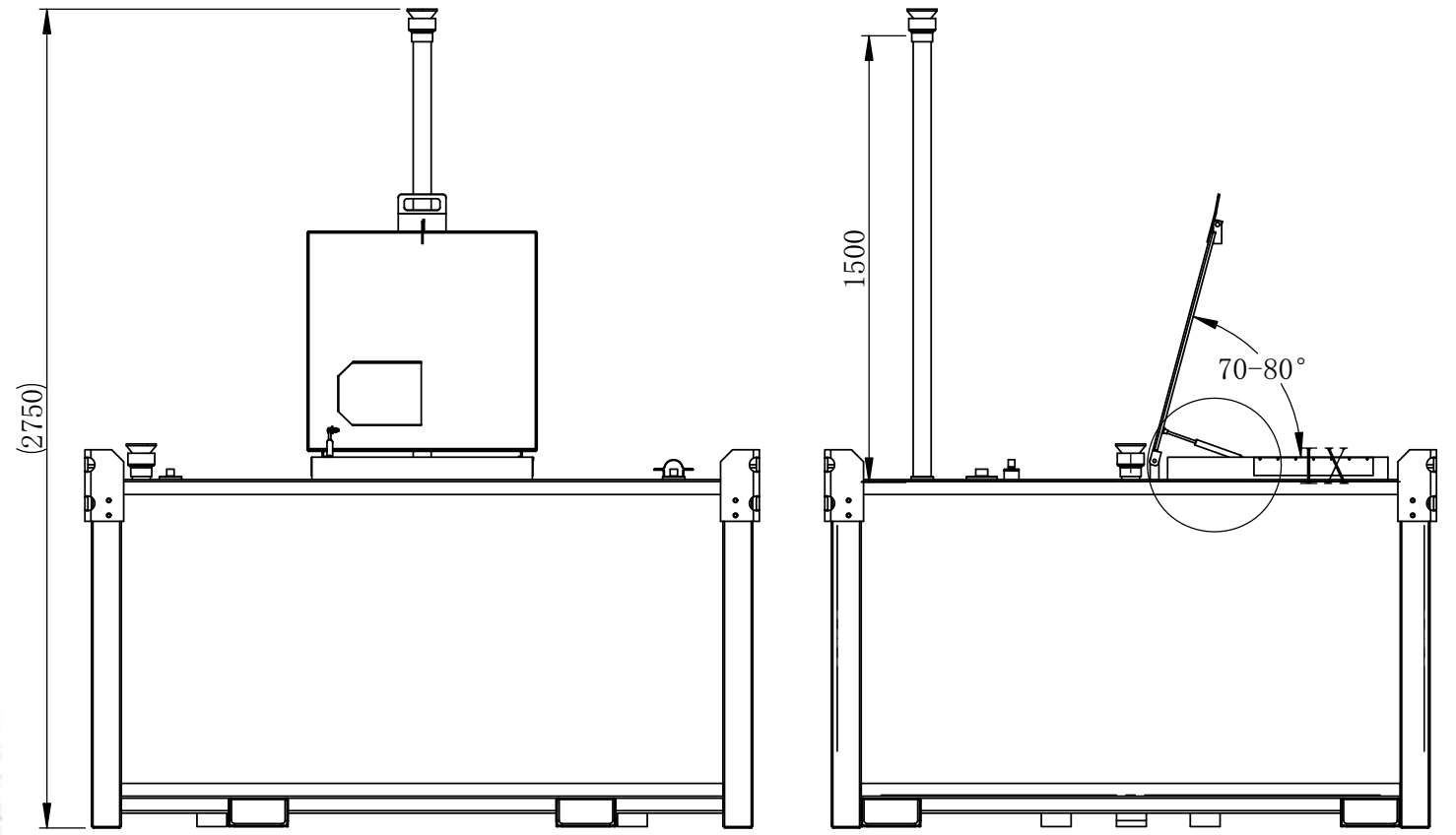
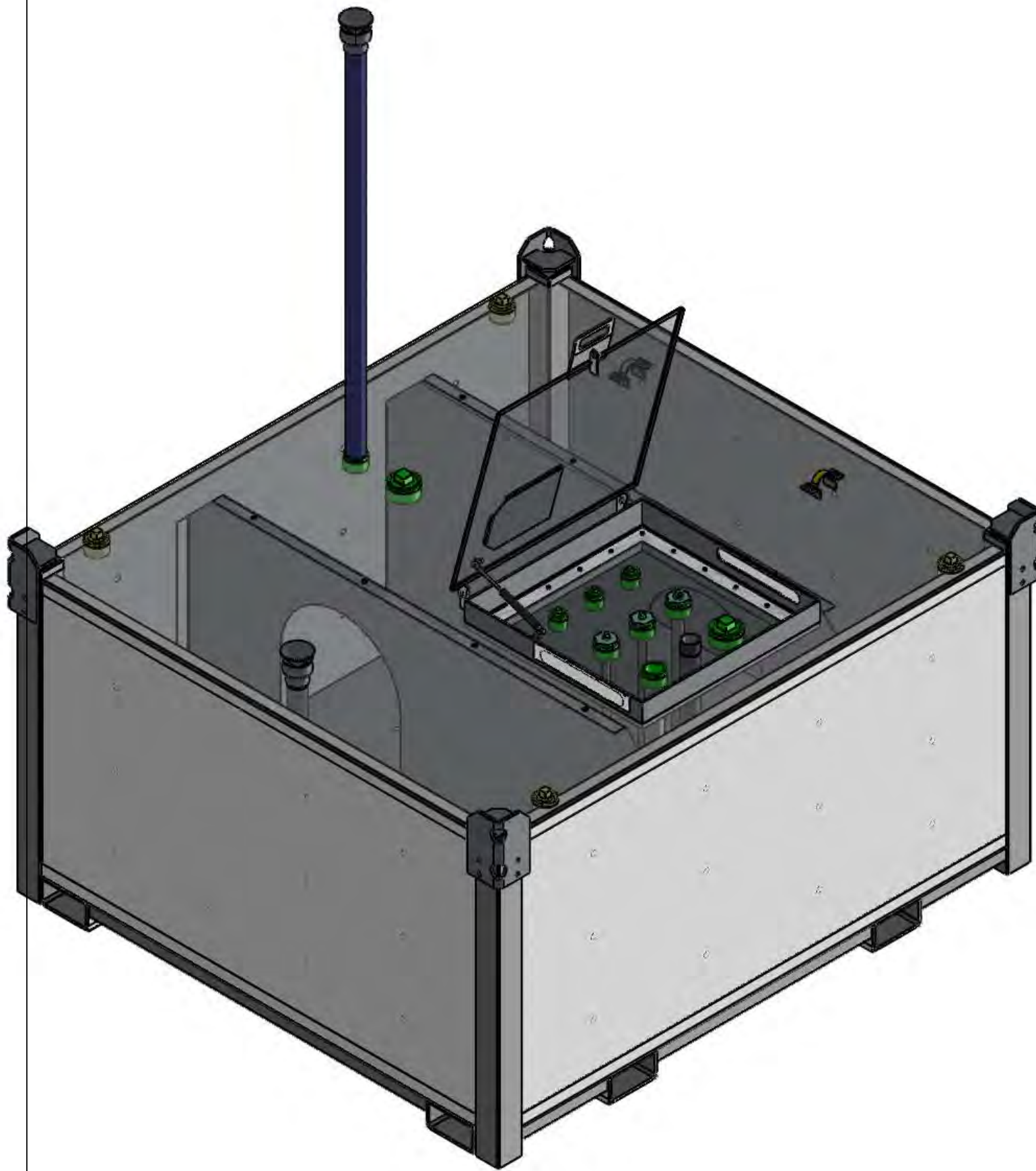
07					
06					
05					
04					
03					
02					
01					
REV:	DATE:	REVISION:	DRAWN:	CHECKED:	APPROVED:



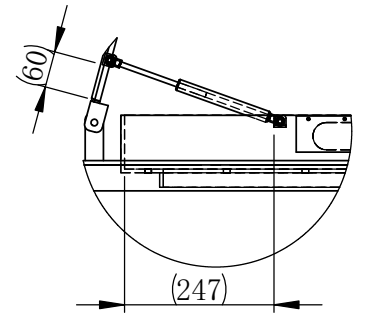
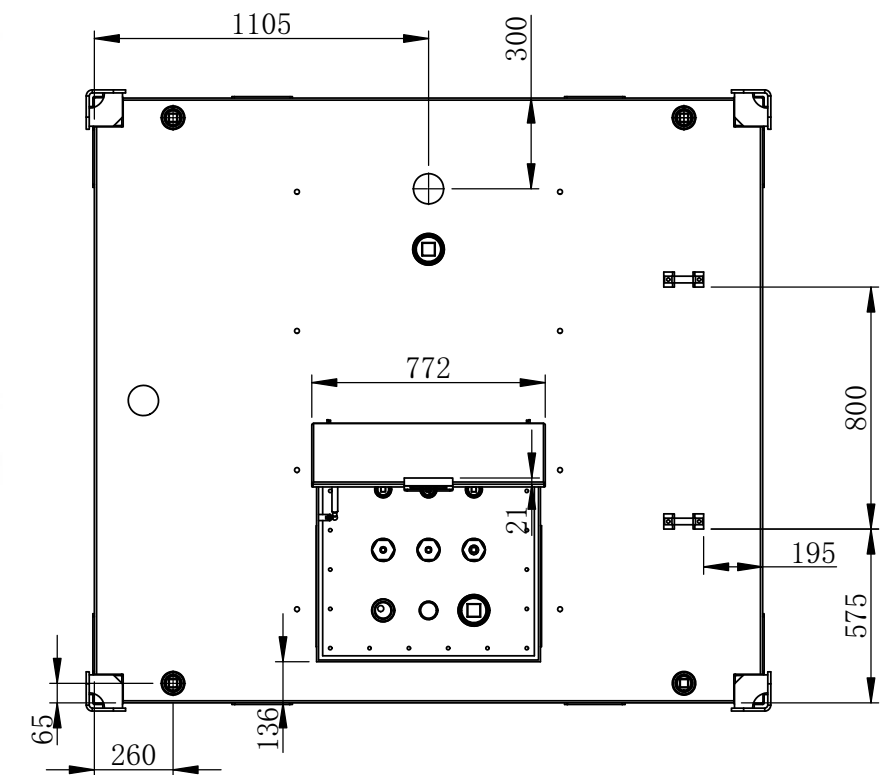
	DRAWN:	DATE:	TITLE:	
		2020-07-01	BOX 4500L Self Bunded Tank	
	CHECKED:	DATE:	DRAWING NO. :	REV:
	CLIENT:	DATE:		01
				SHEET:
				1 of 4
			PURCHASE ORDER NO. :	Scale:
				No scale
Material:		APPROVED:		
Weight:	1331.01KG			

A3





IX



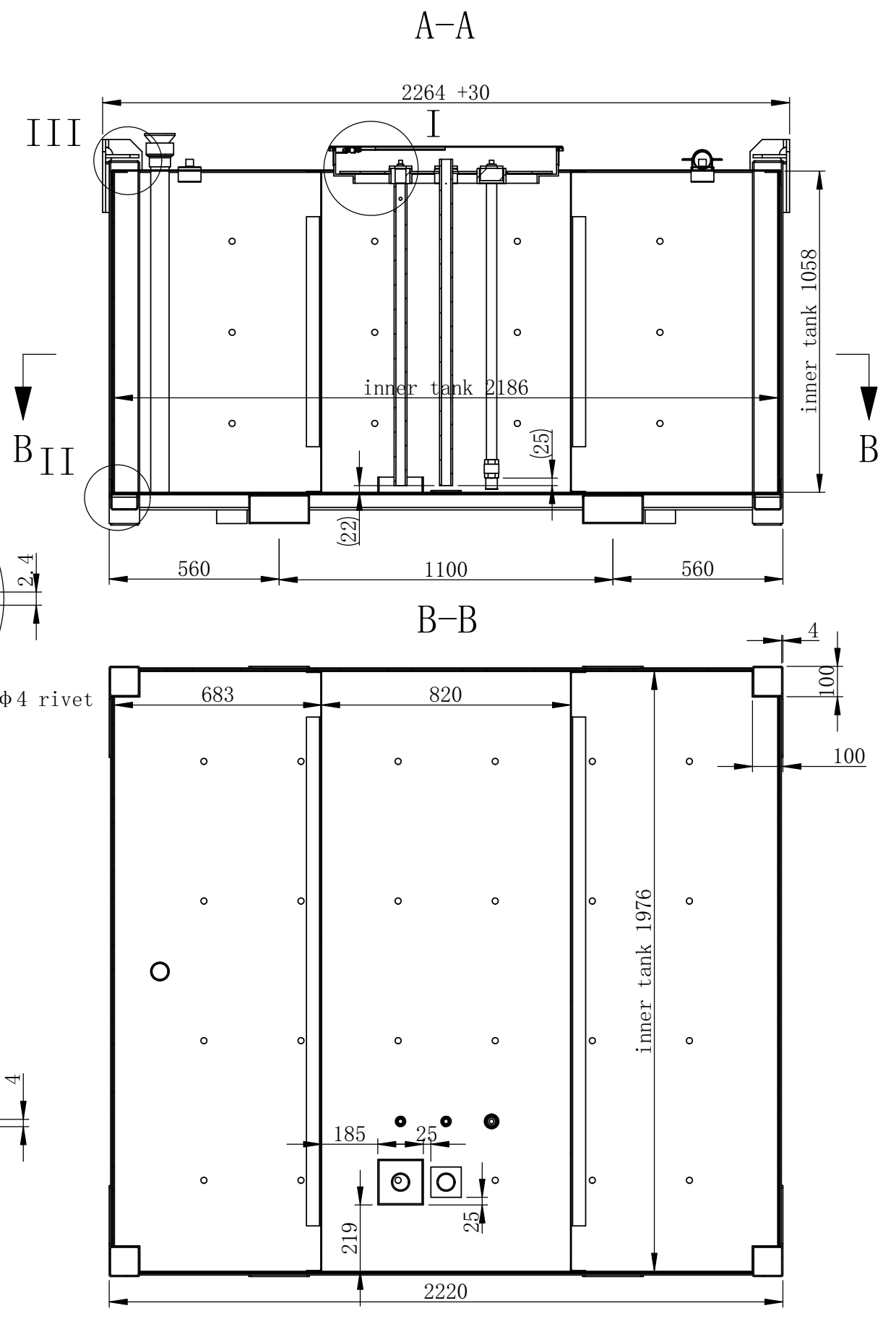
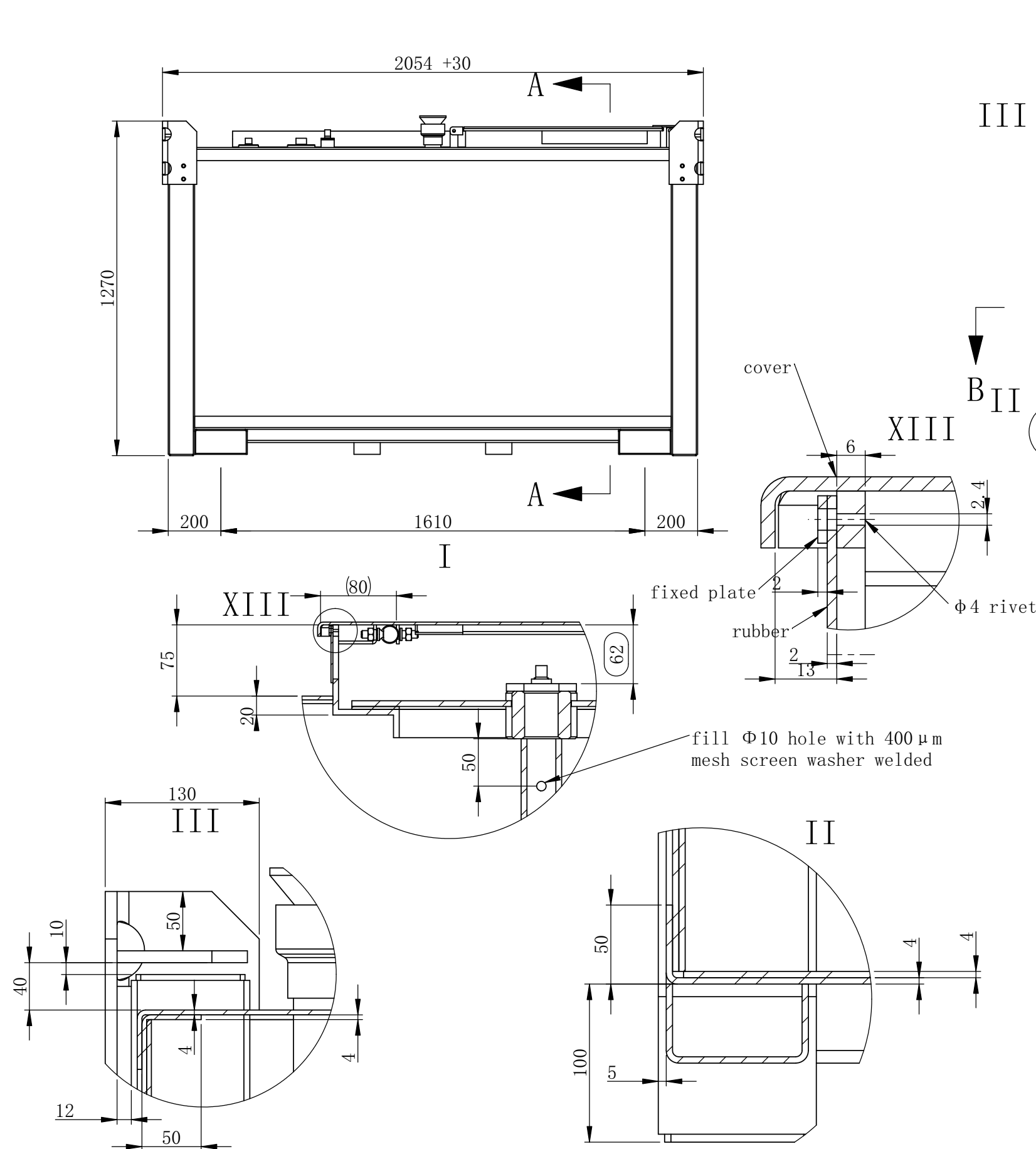
07					
06					
05					
04					
03					
02					
01					
REV:	DATE:	REVISION:	DRAWN:	CHECKED:	APPROVED:



DRAWN:		DATE:	TITLE: BOX 4500L Self Bunded Tank	
		2020-07-01		
CHECKED:		DATE:	DRAWING NO. :	
CLIENT:		DATE:	REV: 01	
APPROVED:		DATE:	SHEET: 2 of 4	
Material:			PURCHASE ORDER NO. :	
Weight:	1331.01KG			
			Scale: No scale	

A3

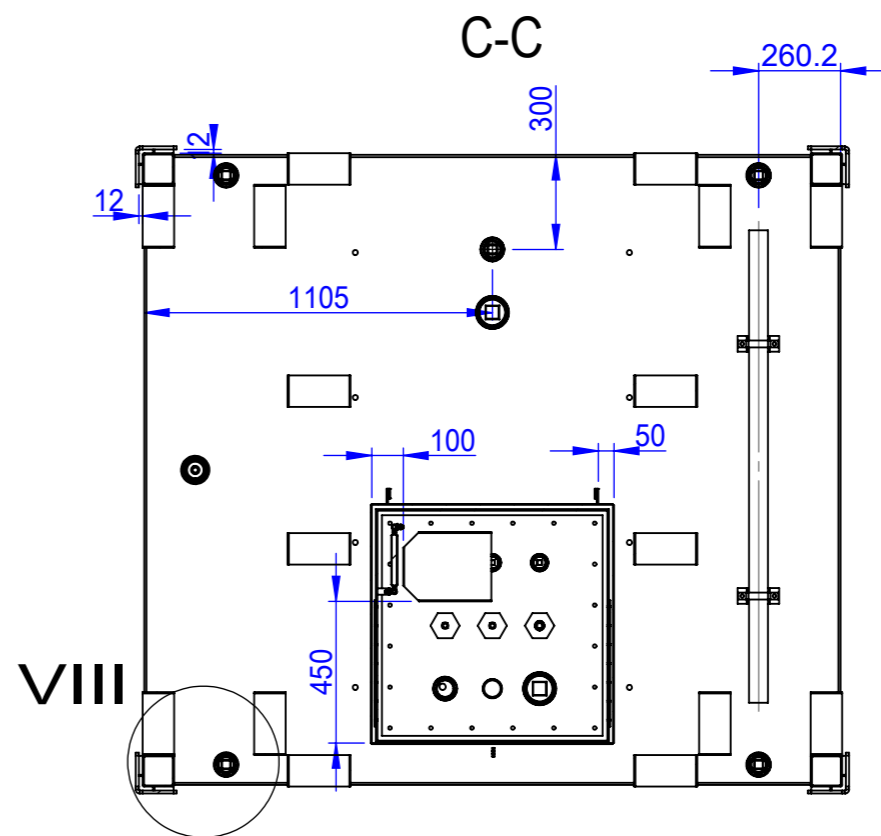
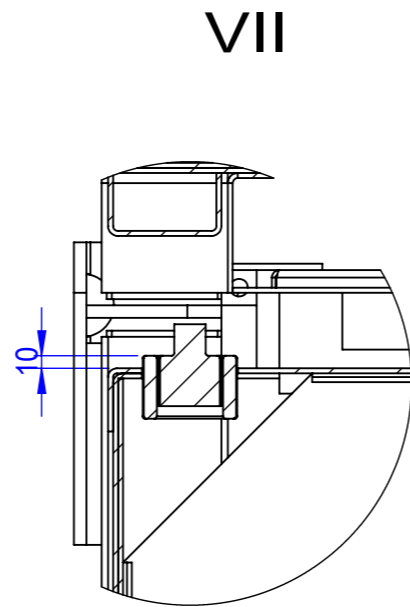
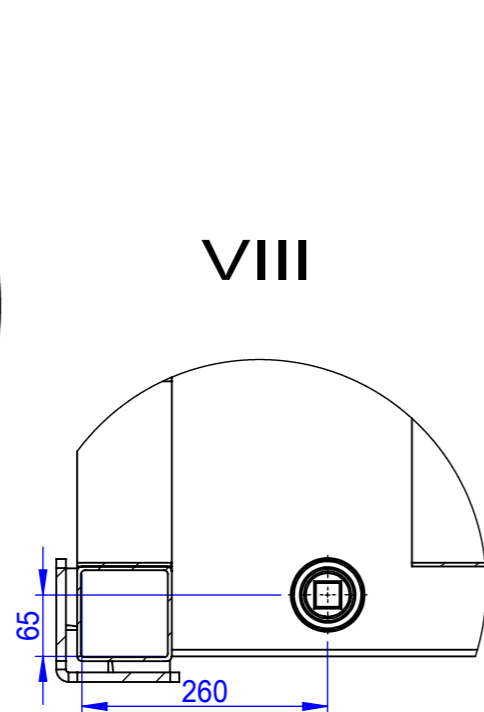
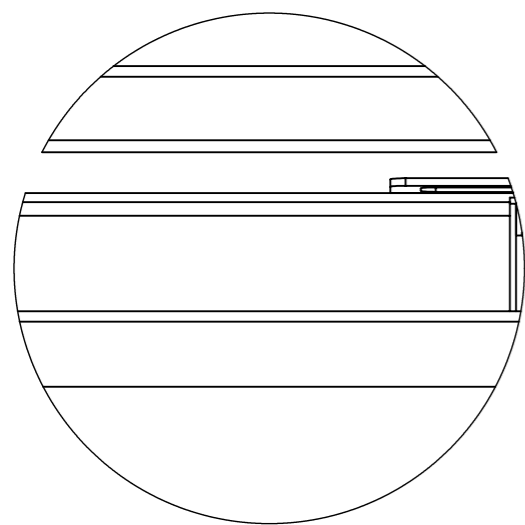
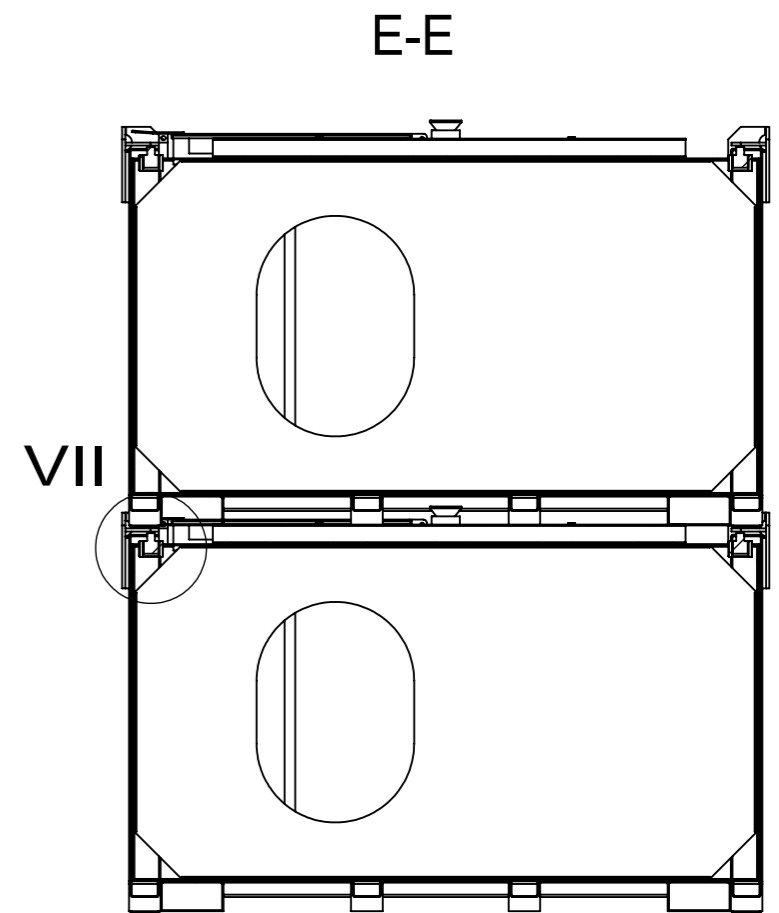
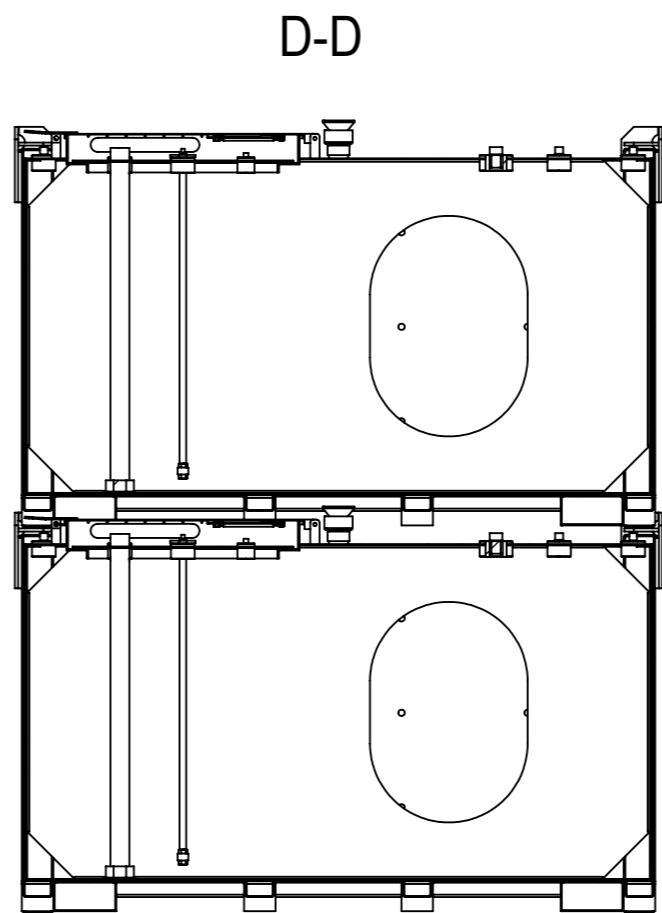
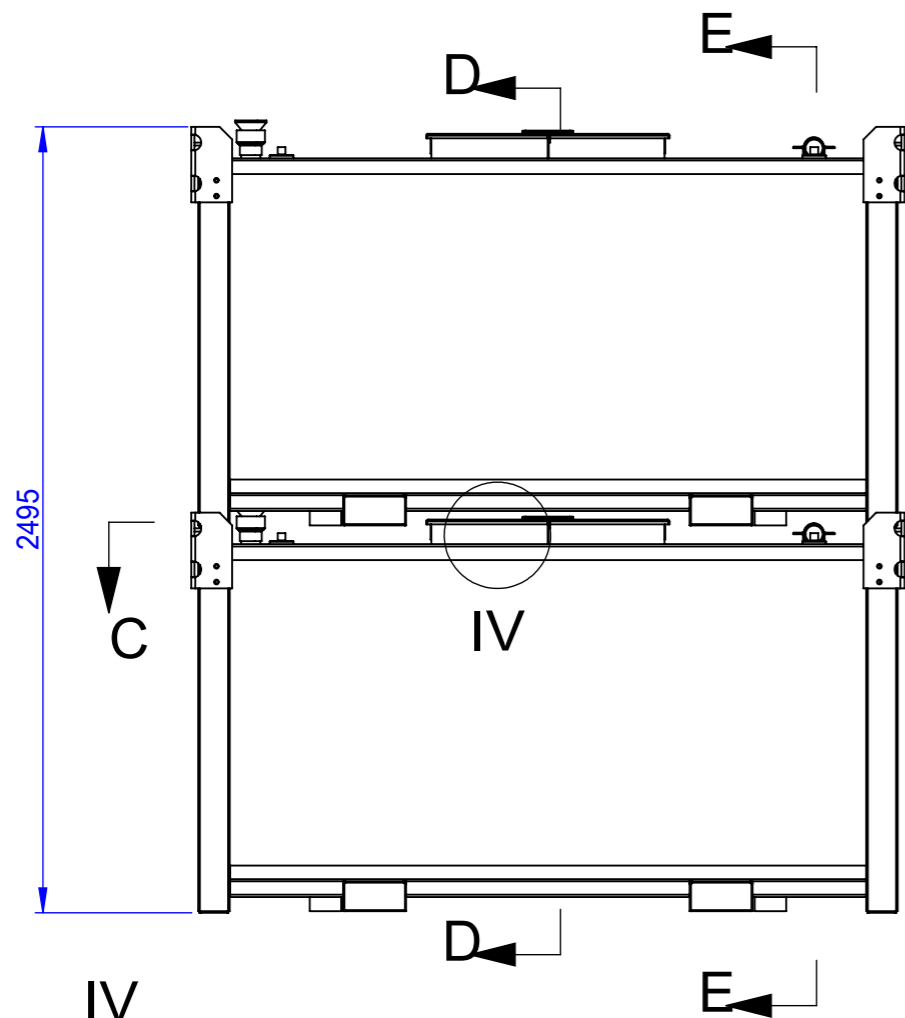




07					
06					
05					
04					
03					
02					
01					
REV:	DATE:	REVISION:	DRAWN:	CHECKED:	APPROVED:



DRAWN:	DATE:	TITLE:		REV:	A3
	2020-07-03				
	CHECKED:	DATE:	DRAWING NO. :		
CLIENT:	DATE:	PURCHASE ORDER NO. :		3 of 4	
APPROVED:	DATE:		Scale:	⊕ - ▽	
Material:		No scale			
Weight:	1402.93KG				



07					
06					
05					
04					
03					
02					
01					
REV:	DATE:	REVISION:	DRAWN:	CHECKED:	APPROVED:



Material:	
Weight:	2649.34KG

DRAWN:	DATE: 2019/7/5
CHECKED:	DATE:
CLIENT:	DATE:
APPROVED:	DATE:

TITLE:	BOX 4500L Self Bunded Tank	
DRAWING NO. :		REV: 01
		SHEET: 4 of 4
PURCHASE ORDER NO. :		Scale: No scale

A3