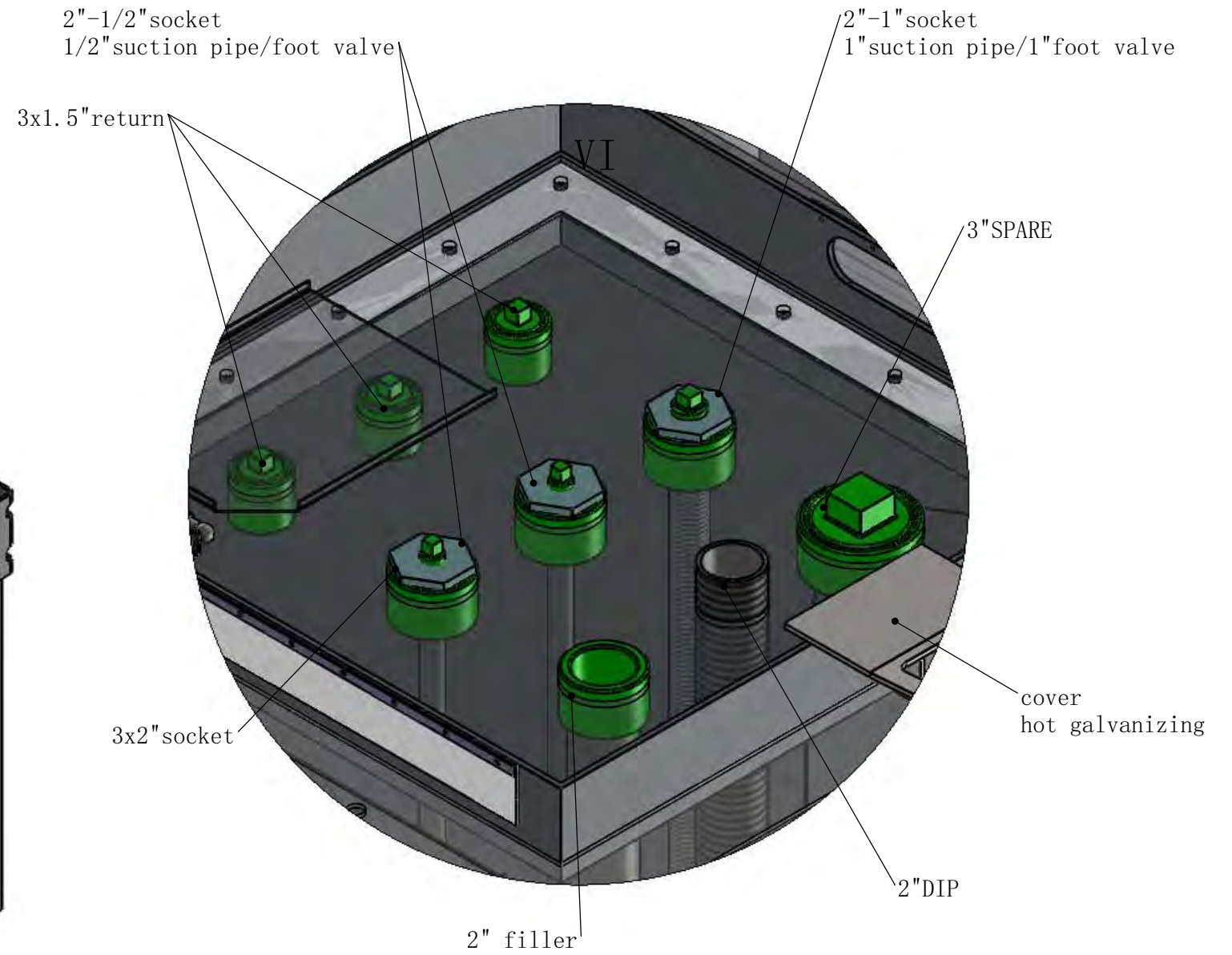
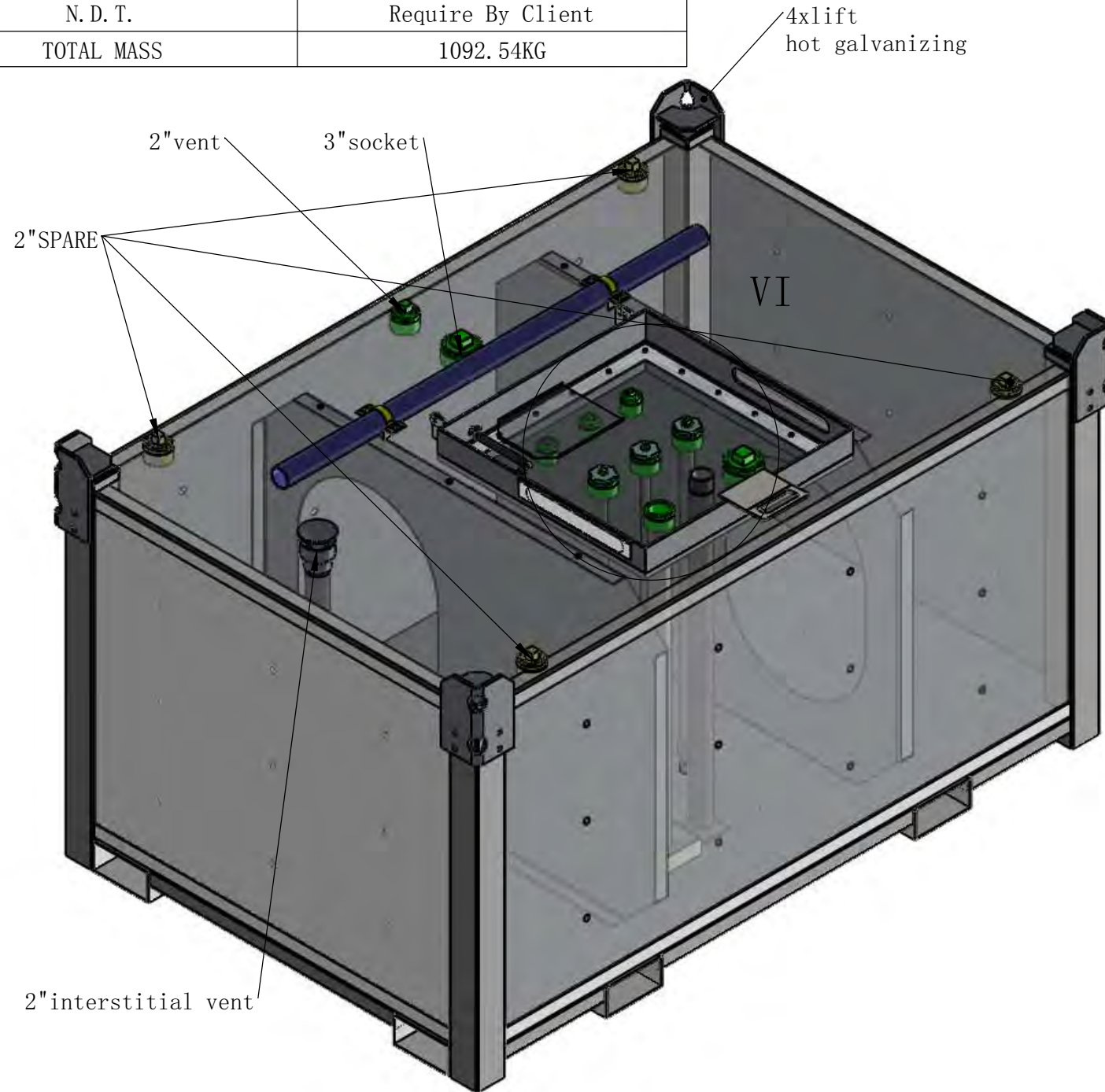


Tank	
TANK CONTENTS	
DESIGNED TO	AS1940 / AS1692
BUILT TO	AS1657 / AS1554.1
PLATE THICKNESS, Material	4/4 mm, Q235B
Pressue Test	35KPA
External size	2294x1546x1270mm
Internal size	2186x1438x1058mm
GROSS VOLUME	3300L
SAFE FILL LEVEL	3000L
N. D. T.	Require By Client
TOTAL MASS	1092. 54KG



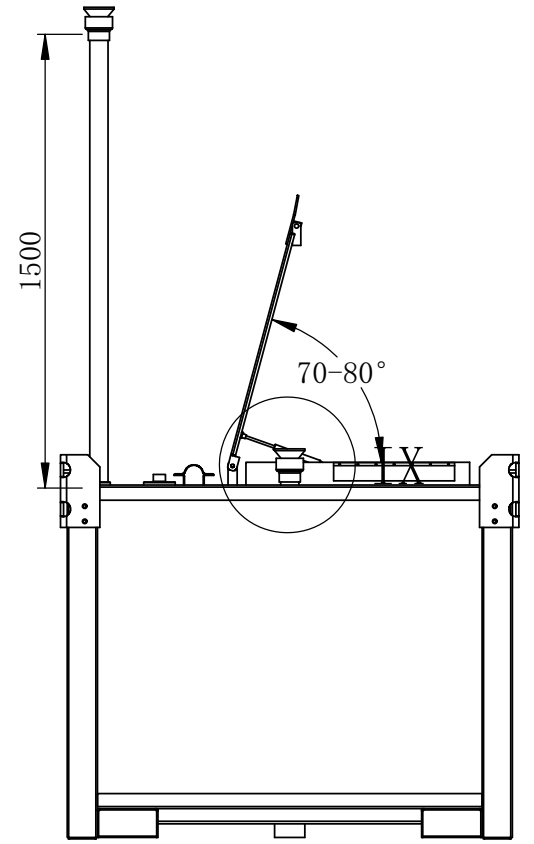
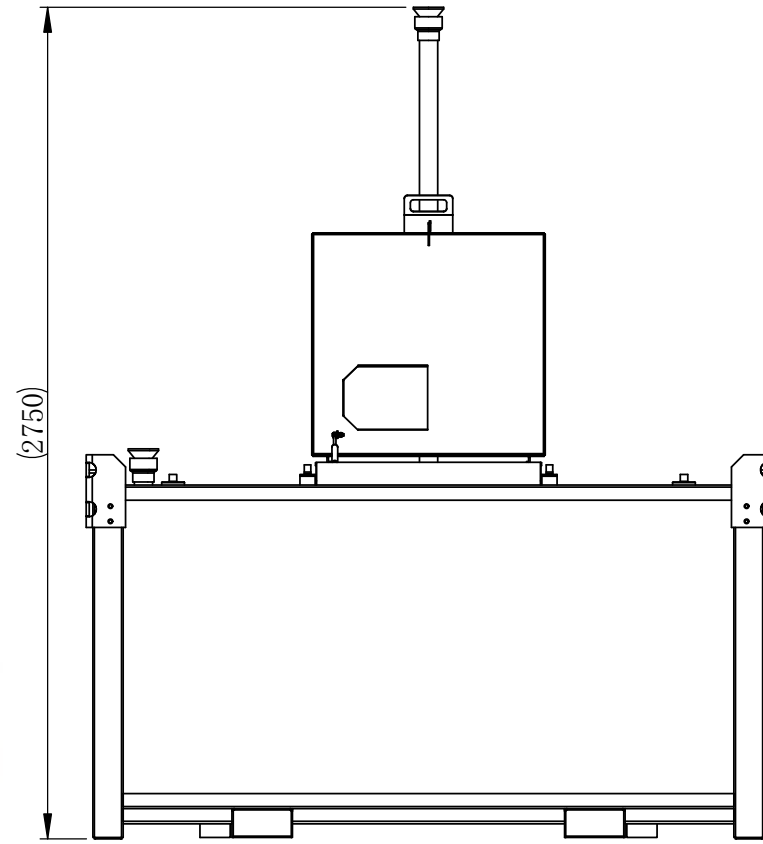
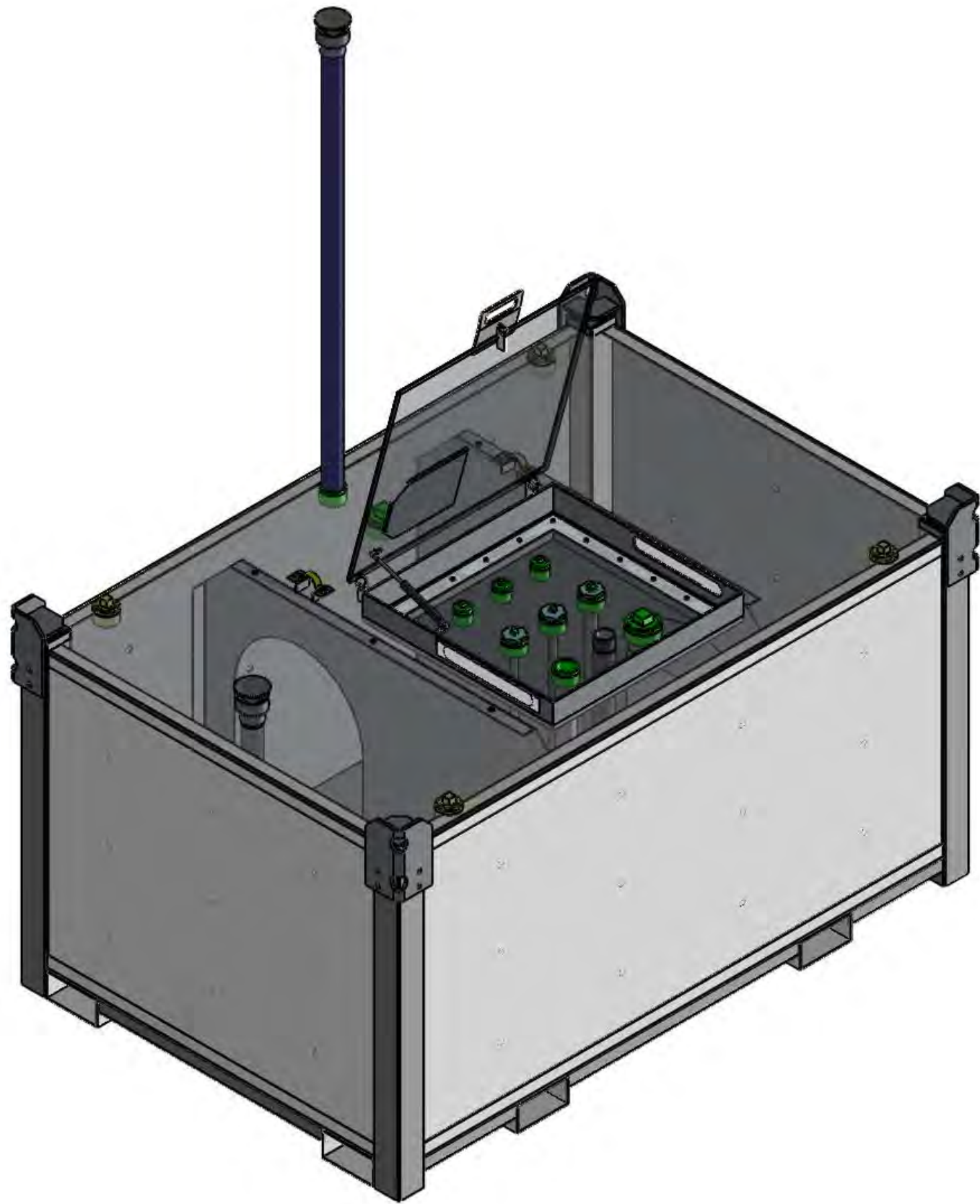
07					
06					
05					
04					
03					
02					
01					
REV:	DATE:	REVISION:	DRAWN:	CHECKED:	APPROVED:



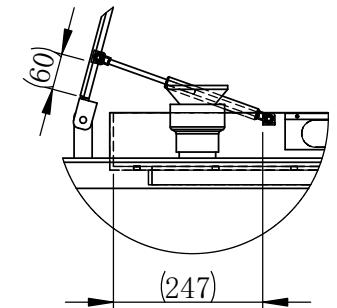
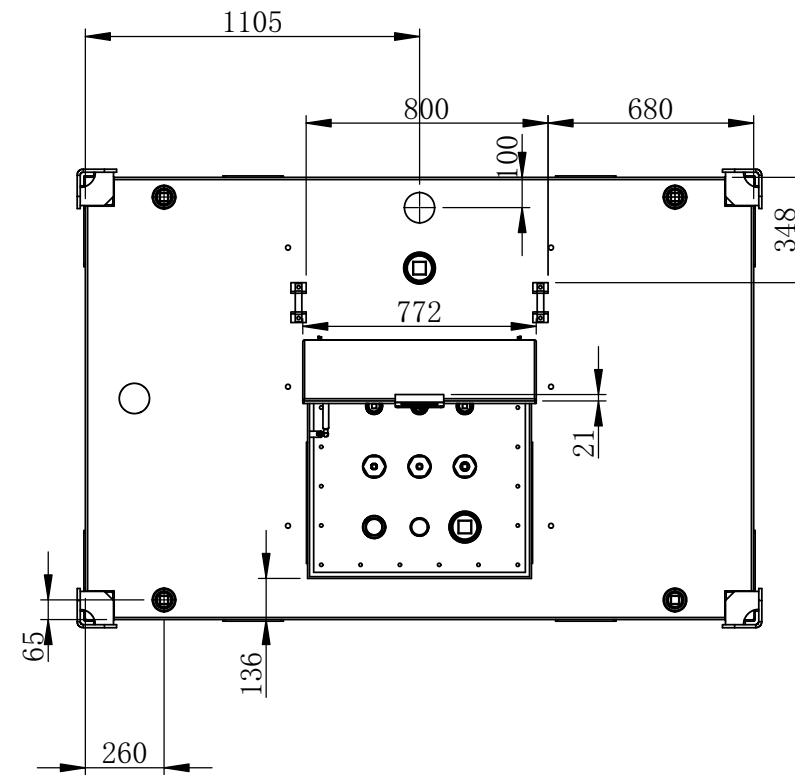
	DRAWN:	DATE:	TITLE:	
		2020-07-01	BOX 3300L Self Bunded Tank	
	CHECKED:	DATE:	DRAWING NO. :	REV:
	CLIENT:	DATE:		01
				SHEET:
				1 of 4
				Scale:
				No scale
Material:		APPROVED:	DATE:	PURCHASE ORDER NO. :
Weight:	1092. 54KG			

A3





IX



07					
06					
05					
04					
03					
02					
01					
REV:	DATE:	REVISION:	DRAWN:	CHECKED:	APPROVED:



Material:
Weight: 1092.54KG

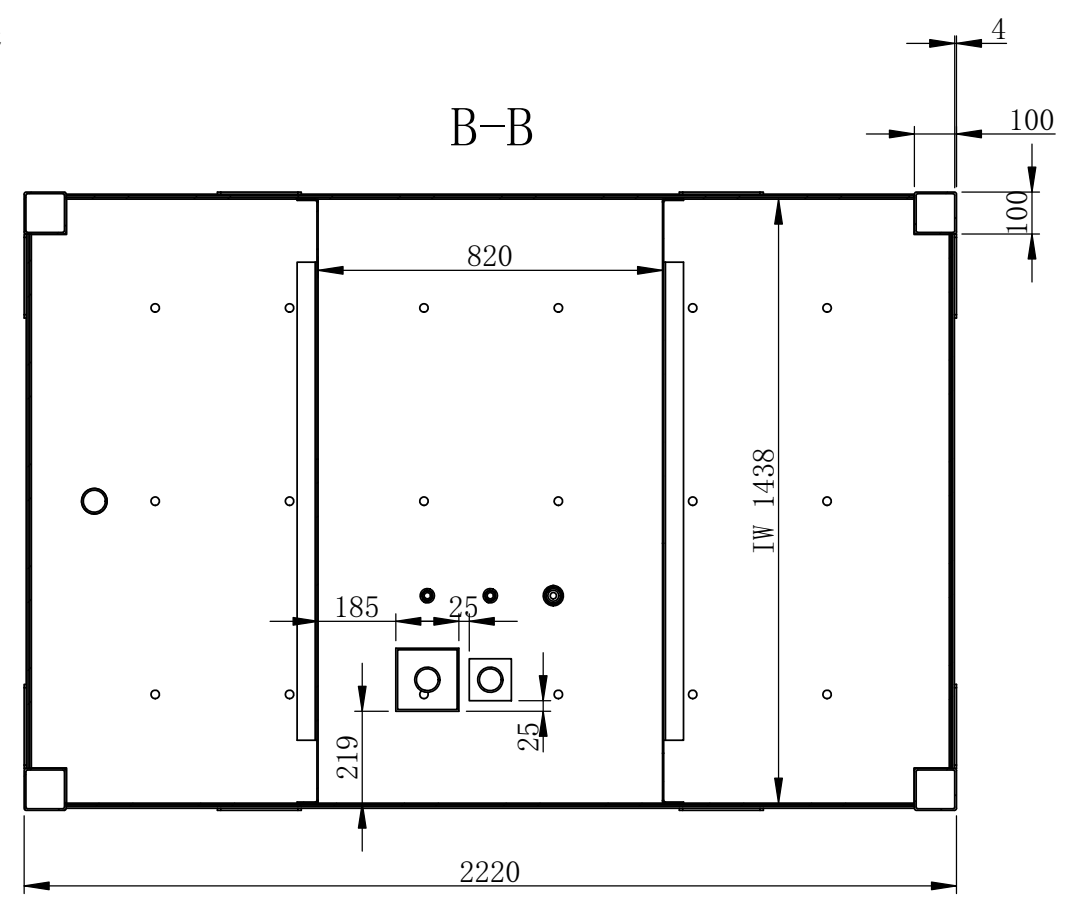
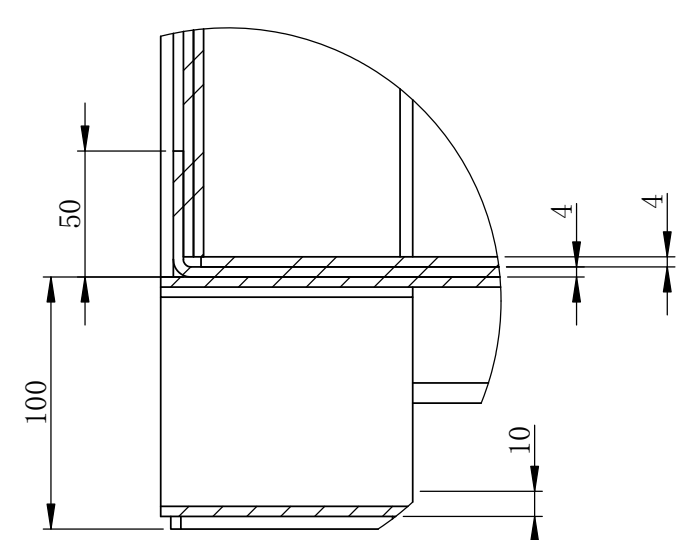
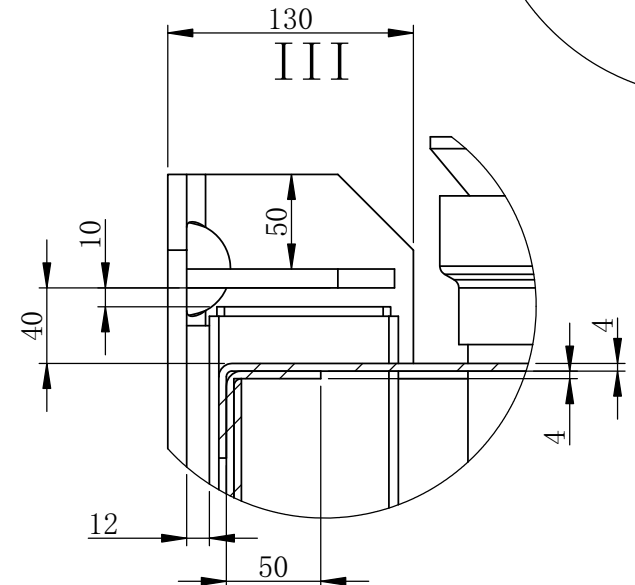
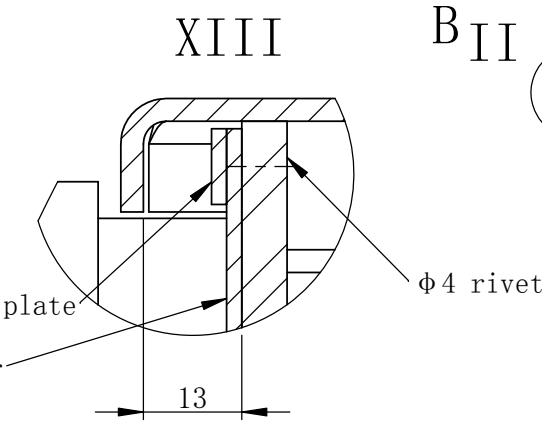
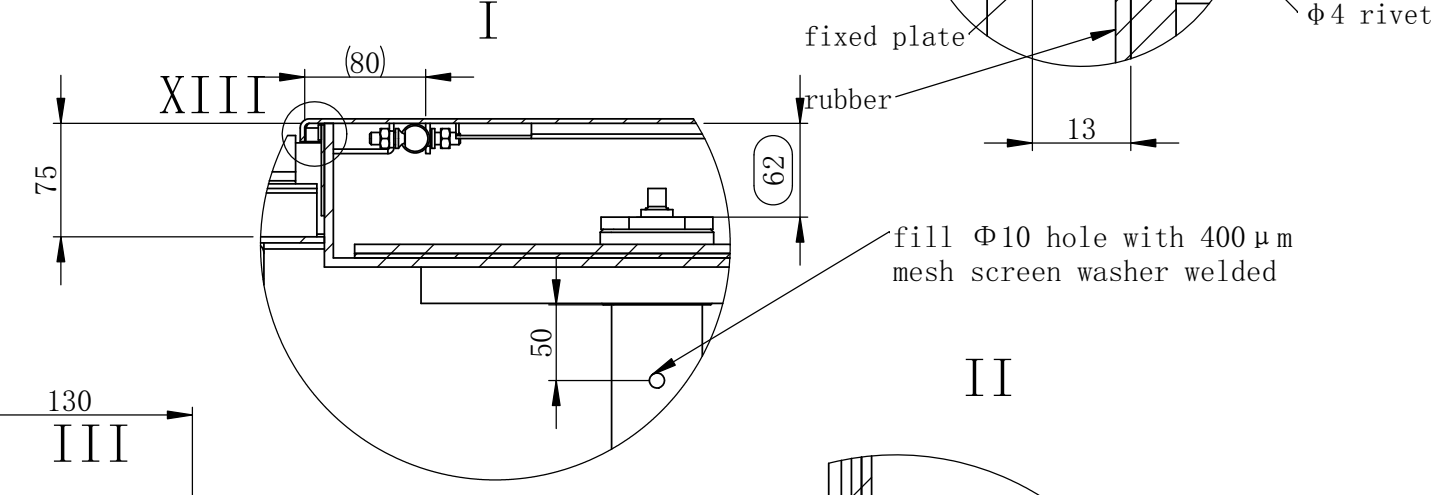
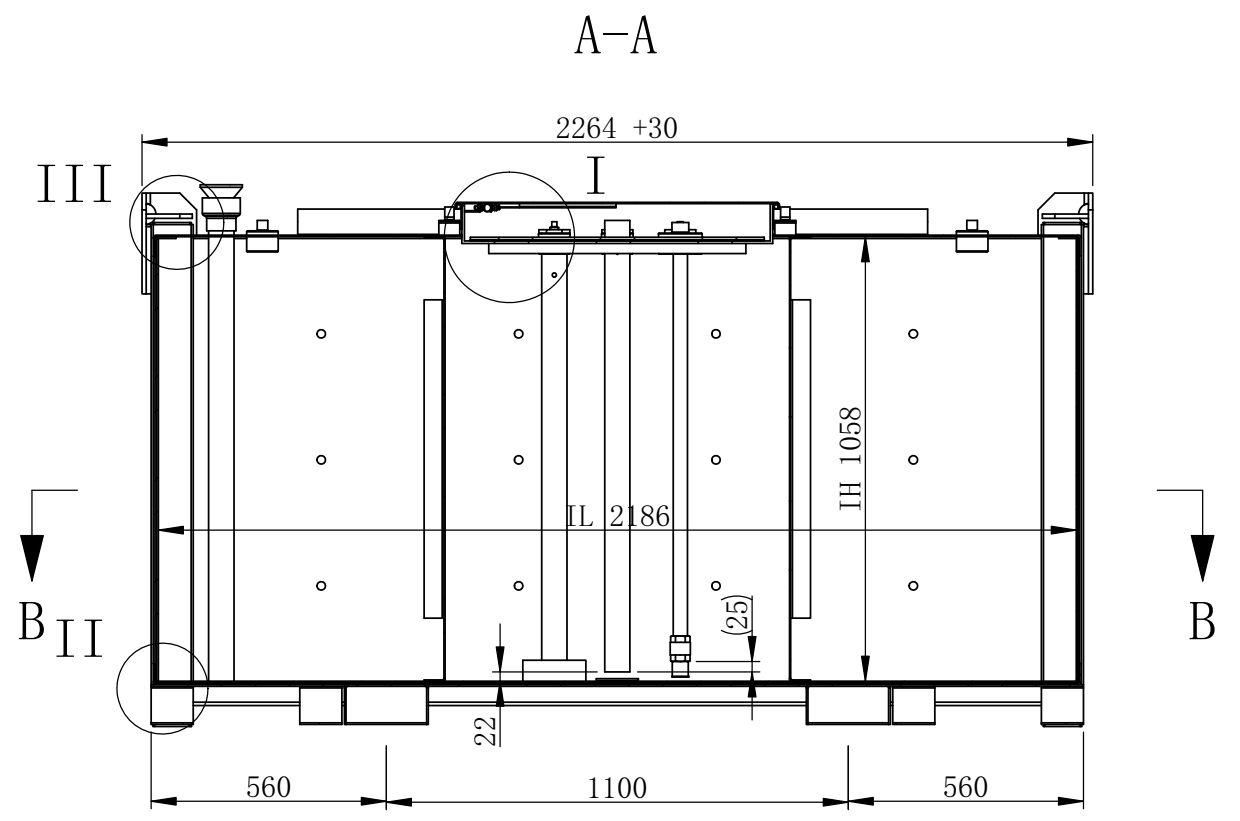
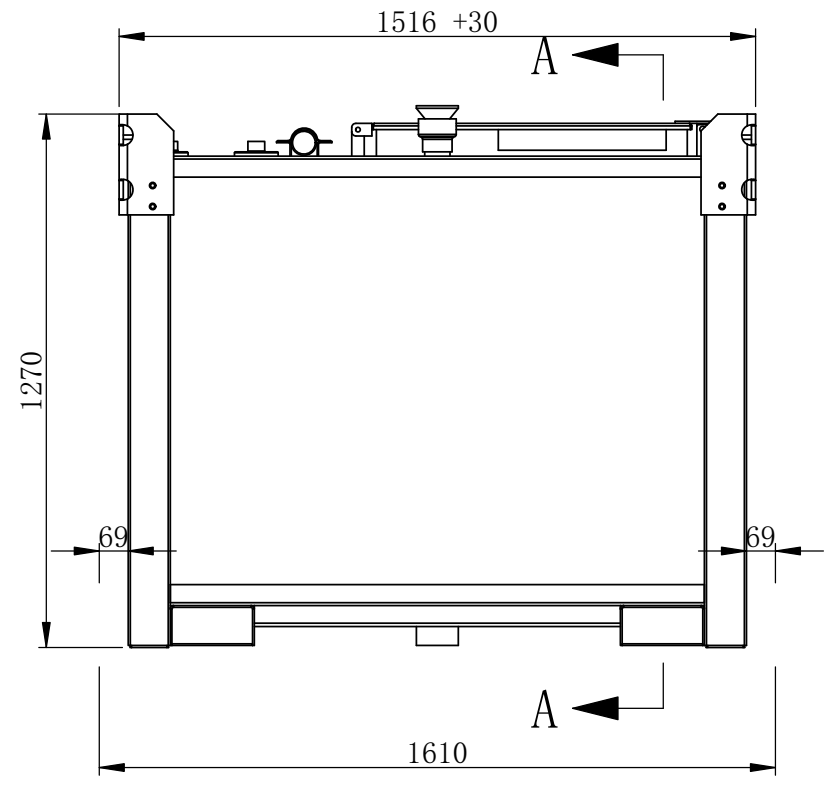
DRAWN:
DATE: 2020-07-01
CHECKED:
DATE:
CLIENT:
DATE:
APPROVED:
DATE:

TITLE:
BOX 3300L Self Bunded Tank
DRAWING NO. :
PURCHASE ORDER NO. :

REV: 01
SHEET: 2 of 4
Scale: No scale

A3



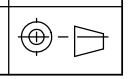


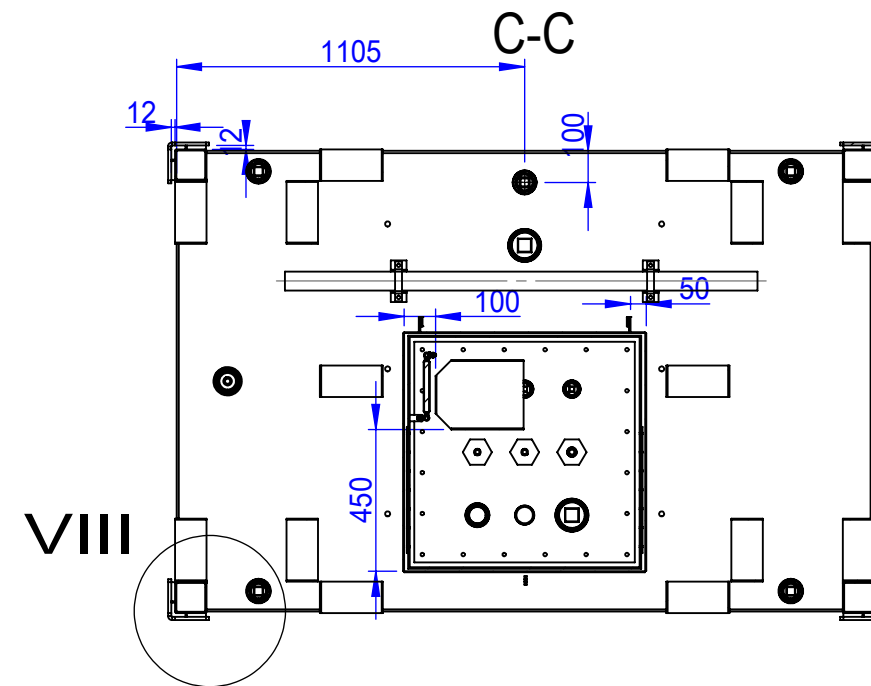
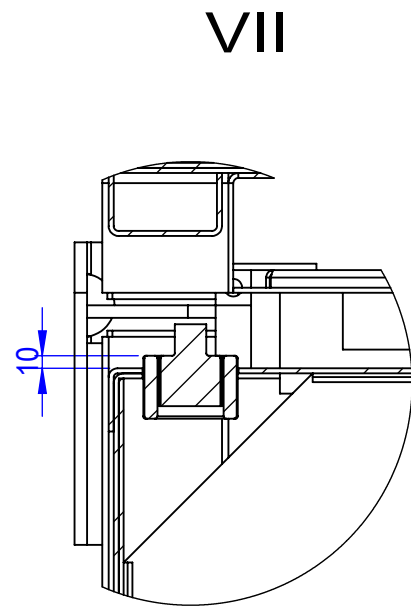
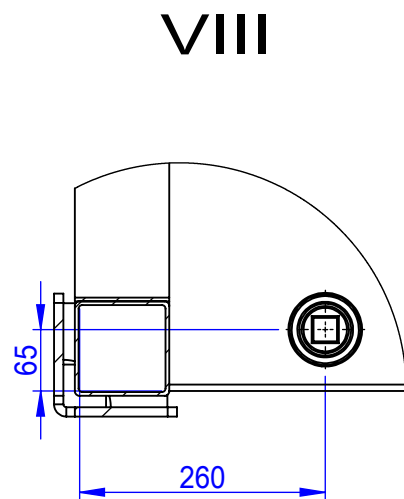
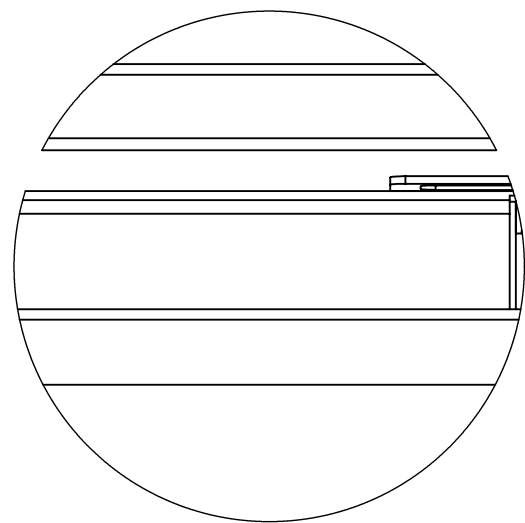
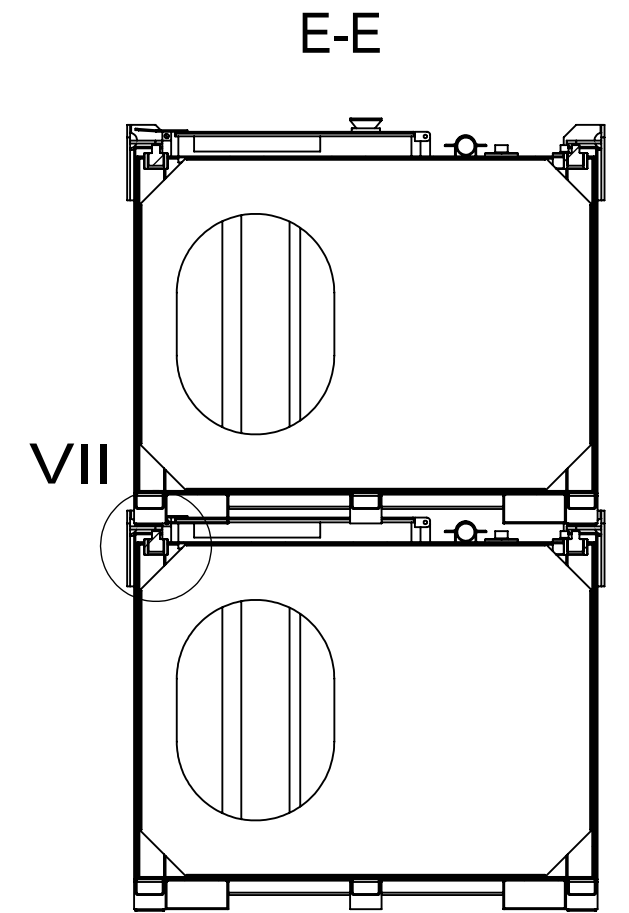
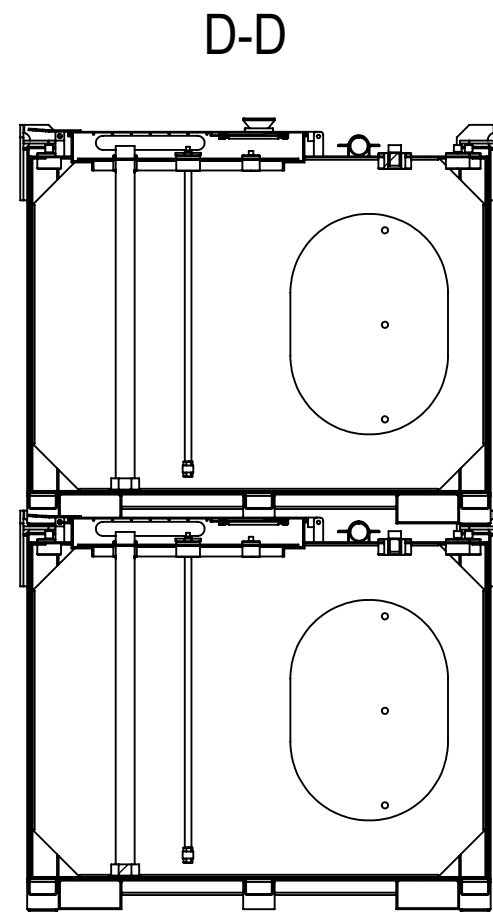
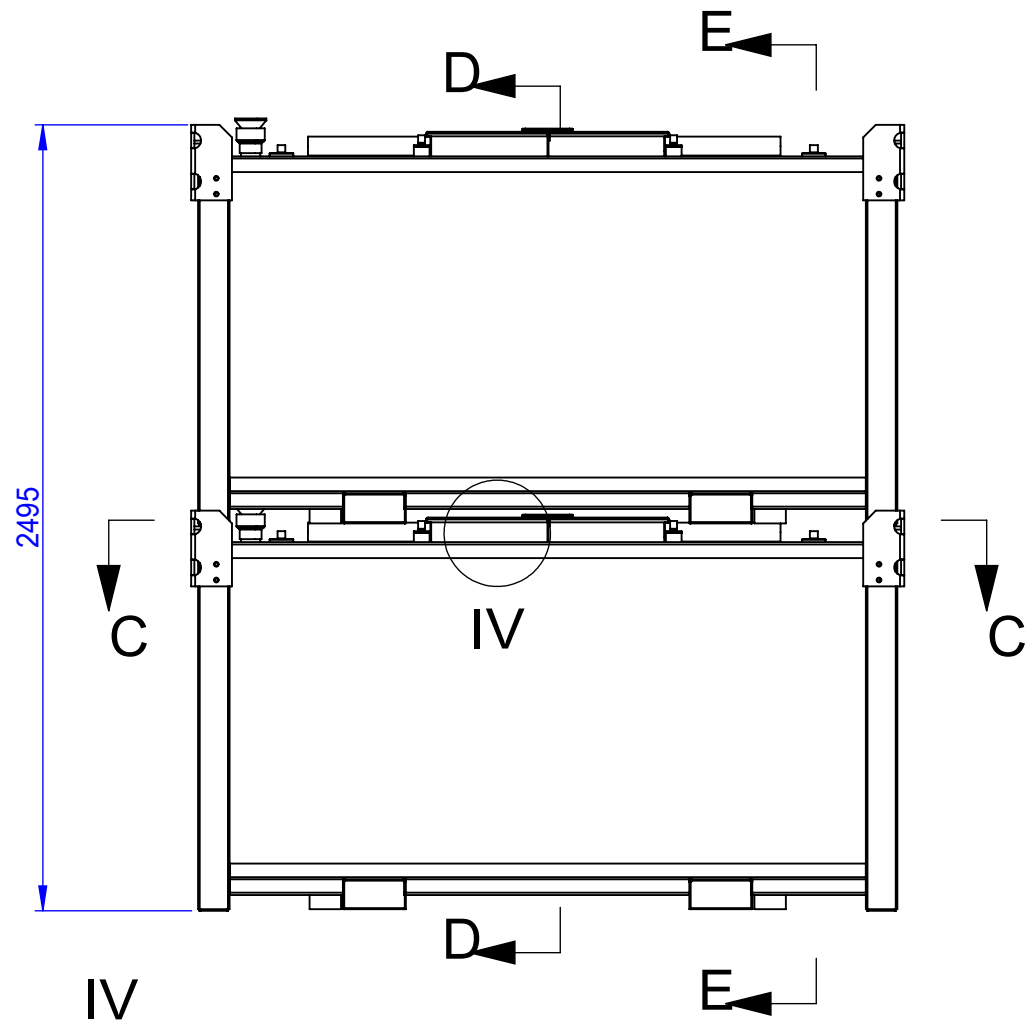
07					
06					
05					
04					
03					
02					
01					
REV:	DATE:	REVISION:	DRAWN:	CHECKED:	APPROVED:



DRAWN:		DATE: 2020-07-03		TITLE: BOX 3300L Self Bunded Tank	
CHECKED:		DATE:			
CLIENT:		DATE:		DRAWING NO. :	
APPROVED:		DATE:		PURCHASE ORDER NO. :	
Material:				REV: 01	
Weight: 1094.29KG				SHEET: 3 of 4	
				Scale: No scale	

A3





07					
06					
05					
04					
03					
02					
01					
REV:	DATE:	REVISION:	DRAWN:	CHECKED:	APPROVED:



Material:	
Weight:	2172.40KG

DRAWN:	DATE:
CHECKED:	DATE:
CLIENT:	DATE:
APPROVED:	DATE:

TITLE: BOX 3300L Self Bunded Tank		REV: 01	A3
DRAWING NO. :			
PURCHASE ORDER NO. :		Scale: No scale	