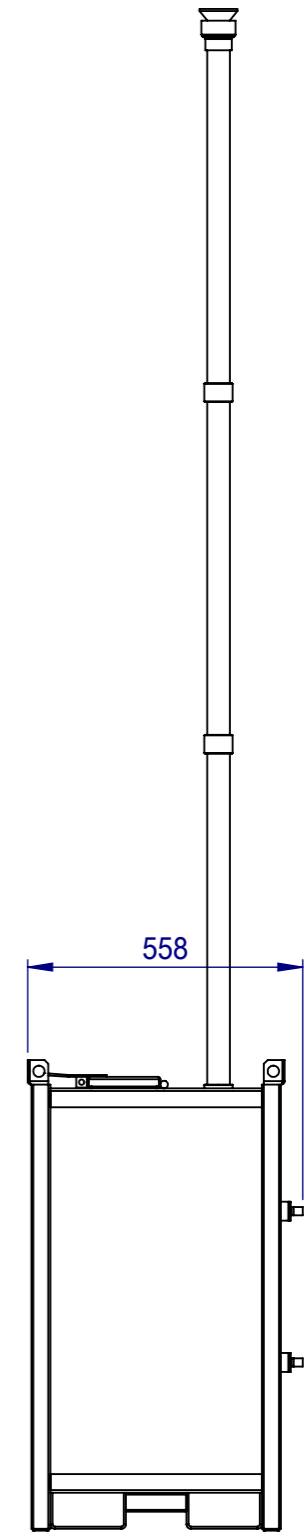
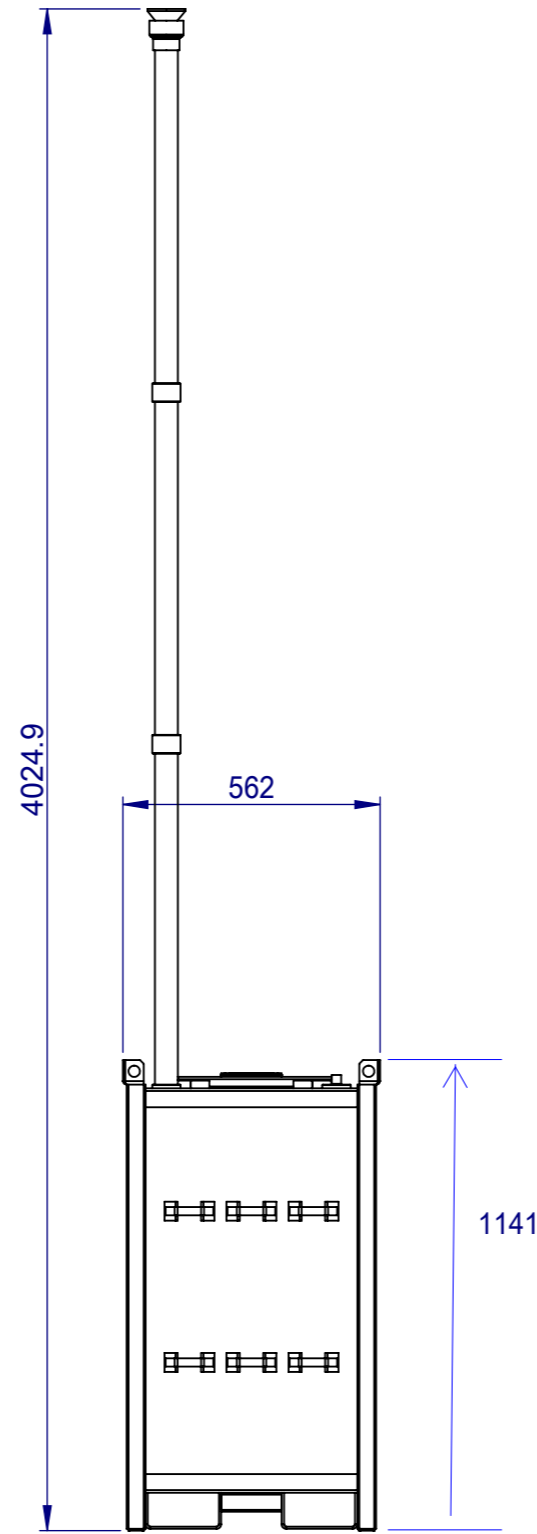
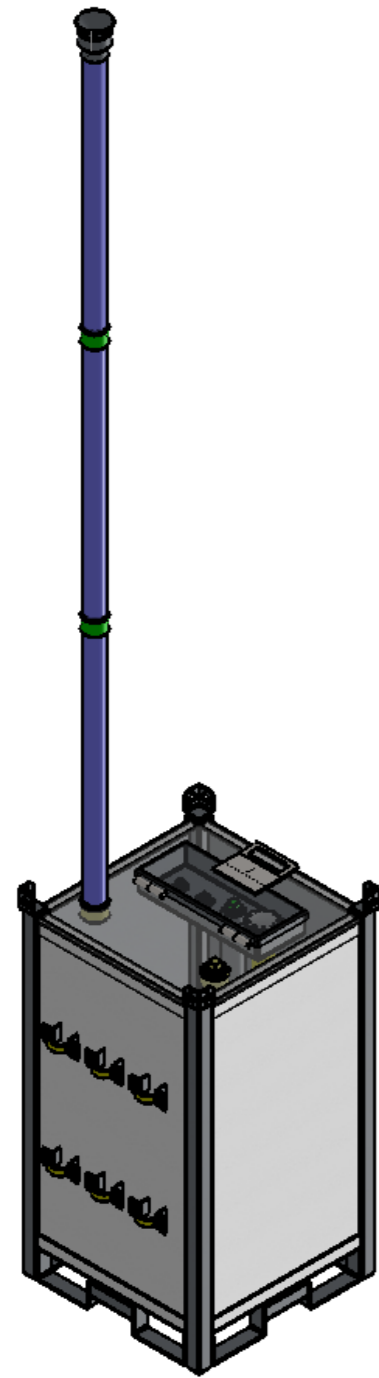


| | | | | | |
|------|-------|-----------|--------|----------|-----------|
| 07 | | | | | |
| 06 | | | | | |
| 05 | | | | | |
| 04 | | | | | |
| 03 | | | | | |
| 02 | | | | | |
| 01 | | | | | |
| REV: | DATE: | REVISION: | DRAWN: | CHECKED: | APPROVED: |



| | | | | |
|-----------|-----------|-------|-------------------------------------|--------------------|
| | DRAWN: | DATE: | TITLE: BOX 250L Self Bunded Tank | |
| | CHECKED: | DATE: | DRAWING NO. : | REV: 01 |
| | CLIENT: | DATE: | | SHEET: 1 of 4 |
| | APPROVED: | DATE: | PURCHASE ORDER NO. : | Scale: No scale |
| Material: | | | | |
| Weight: | 265.46KG | | | |



| | | | | | |
|------|-------|-----------|--------|----------|-----------|
| 07 | | | | | |
| 06 | | | | | |
| 05 | | | | | |
| 04 | | | | | |
| 03 | | | | | |
| 02 | | | | | |
| 01 | | | | | |
| REV: | DATE: | REVISION: | DRAWN: | CHECKED: | APPROVED: |



Material:
Weight: 265.46KG

DRAWN: DATE:
CHECKED: DATE:
CLIENT: DATE:
APPROVED: DATE:

TITLE:
BOX 250L Self Bunded Tank
DRAWING NO. :
PURCHASE ORDER NO. :

REV: 01
SHEET: 2 of 4

A3

No scale

